



IMPORTANT DOCUMENTS ENCLOSED

CAUTION:

To reduce the risk of injury due to hot water burns, make sure the enclosed labels are applied where specified on the label.

DOCUMENTOS IMPORTANTES INCLUIDOS

AVISO:

Para reducir el riesgo de lesión por quemaduras de agua caliente , asegúrese que las etiquetas incluidas se han aplicado donde se ha especificado en la etiqueta.

DOCUMENTS IMPORTANTS À L'INTÉRIEUR

MISE EN GARDE :

Pour réduire le risque d'ébouillantage, veuillez apposer les étiquettes fournies aux endroits indiqués sur celles-ci.

NOTICE TO INSTALLER: Place this label on the water heater next to the temperature adjustment knob.

WARNING:

These series of tub/shower valves do not adjust automatically for changes in temperature at the hot water heater or inlet. If the temperature setting of the hot water heater or inlet is changed, the setting on these valves **must be adjusted manually!** Failure to re-adjust the valve may result in hot water burns or extreme cold resulting from variations in line pressure (such as when a dishwasher or washing machine is in use while you are taking a shower). After installation, verify that the rotational limit stop or temperature knob on the valve is set so that changes in line pressure or temperature do not result in uncomfortable water temperature changes. **If the temperature setting of the hot water heater or inlet is changed after installation of the valve, the setting of the rotational limit stop or temperature knob also must be changed!** Consult the installation instruction sheet for instructions on how to make this setting, or call us at 1-800-345-DELTA.

AVISO AL INSTALADOR: Coloque esta etiqueta en el calentador de agua al lado de la perilla para el ajuste de temperatura.

AVISO:

Esta serie de válvulas para bañeras/regaderas no se ajustan automáticamente a los cambios de temperatura en el calentador de agua o en el agua de entrada. Si el ajuste de la temperatura del calentador de agua o la temperatura del agua que entra cambia **¡El ajuste de estas válvulas se debe hacer manualmente!** El no reajustar la válvula puede resultar en quemaduras por agua caliente o temperaturas de agua extremadamente frías resultando en variaciones de presión y temperatura (como cuando el fregador de platos o la lavadora están funcionando mientras que se baña). Después de la instalación, verifique que el control o tope del límite rotacional o la perilla del control de temperatura en la válvula está ajustada para que los cambios de presión y de temperatura en la línea no resulten en cambios incómodos de temperatura del agua. **Si el ajuste de la temperatura del calentador de agua o de la entrada de agua se cambia después de la instalación de la válvula, el ajuste del tope del límite rotacional o la perilla de ajuste ¡también se debe cambiar!** Consulte con su hoja de instrucciones de instalación para saber como se ajusta o cambia el ajuste, o llámenos al 1-800-345-DELTA.

AVIS À L'INSTALLATEUR: Fixez cette étiquette sur le chauffe-eau près du bouton de réglage de température.

ATTENTION:

La soupape de robinet de baignoire ou de douche de cette série ne se règle pas automatiquement en fonction des changements de température de l'eau chaude au chauffe-eau ou de l'eau d'alimentation. En cas de modification du réglage de température du chauffe-eau ou de la température de l'eau d'alimentation, le réglage de cette soupape doit **être modifié manuellement!** Si le réglage de la soupape n'est pas modifié, le robinet pourra permettre l'écoulement d'eau très chaude susceptible de causer l'ébouillantage ou d'eau très froide, sous l'effet des variations de pression et de température dans la tuyauterie d'alimentation (lorsque la douche est utilisée en même temps que le lave-vaisselle ou la machine à laver, par exemple). Après l'installation, assurez-vous que la butée de température maximale ou le bouton de température sur la soupape est réglé de manière que les fluctuations de pression et de température dans la tuyauterie d'alimentation n'entraînent pas de changements de température de l'eau inconfortables. **En cas de modification du réglage de température du chauffe-eau ou de la température de l'eau d'alimentation après l'installation de la soupape, le réglage de la butée de température maximale ou du bouton de température doit être modifié!** Pour régler le bouton de température, consultez la feuille d'instructions d'installation ou appelez-nous au 1-800-345-DELTA.

NOTICE TO INSTALLER: Place this label close to the valve where the owner will see it, such as inside the door of a cabinet or vanity.

WARNING:

Water temperature changes due to seasonal or other inlet variations, such as changing the setting on the hot water heater may require adjustment of the rotational limit stop or temperature knob on your tub/shower valve to ensure a safe maximum temperature. These valve series do not automatically adjust for inlet temperature changes. If changes occur and you are not sure how to make the necessary rotational limit stop or temperature knob adjustments, please consult the installation instruction sheet provided with this valve or call 1-800-345-DELTA. These valve series are designed to minimize the effects of outlet water temperature changes due to inlet pressure changes, commonly caused by dishwashers, washing machines, toilets and the like. They may not provide protection from hot water burns when there is a failure of other temperature controlling devices elsewhere in the plumbing system. After making the necessary adjustments please fill in the information below. This valve/system has been set by the person listed below to ensure a safe maximum temperature. Any change in the setting may raise the discharge temperature above the limit considered safe and could lead to hot water burns. If this label has not been completed, you should verify that the rotational limit stop or temperature knob has been properly adjusted to suit your individual installation. The installation instruction sheet supplied with the valve provides information on how to make this setting.

AVISO AL INSTALADOR: Coloque esta etiqueta cerca de la válvula donde el propietario la pueda ver, tal como dentro de la puerta del gabinete o el tocador.

AVISO:

Los cambios de temperatura del agua por variaciones estacionales u otras variaciones en el agua de entrada, como el cambio por el ajuste en el calentador de agua, puede requerir el ajuste del tope del límite rotacional o ajuste de la perilla para el control de la temperatura de la válvula de su unidad bañera/regadera para asegurar una temperatura máxima segura. Esta serie de válvulas no se ajusta automáticamente para los cambios de temperatura del agua de entrada. Si cambios ocurren y usted no está seguro como hacer los ajustes necesarios con la perilla para controlar la temperatura, por favor consulte la hoja de instrucciones de instalación proporcionada con esta válvula o llámenos al 1-800-345-DELTA. Las válvulas de esta serie están diseñadas para minimizar los efectos por cambios de temperatura en el agua de entrada por cambios en la presión del agua, comúnmente causados por el uso simultáneo de fregadoras de platos, lavadoras, inodoros y aparatos similares. **Estas pueden no proporcionar protección de quemaduras por el agua caliente cuando hay una falla de otros mecanismos que controlan la temperatura del agua en otro sitio del sistema de plomería.** Después de hacer los ajustes necesarios, por favor escriba la información suministrada a continuación. Esta válvula/sistema ha sido ajustada por la persona indicada a continuación para ayudar a asegurar una temperatura máxima segura. Cualquier cambio al ajuste puede aumentar la temperatura del agua de descarga sobre el límite considerado seguro y puede resultar en quemaduras por agua caliente. Si esta etiqueta no se ha llenado, debe verificar si el control o tope del límite rotacional o la perilla que controla la temperatura han sido correctamente ajustadas al gusto de su instalación individual. La hoja de instrucciones de instalación proporcionada con las válvulas le suministra información sobre como hacer este ajuste.

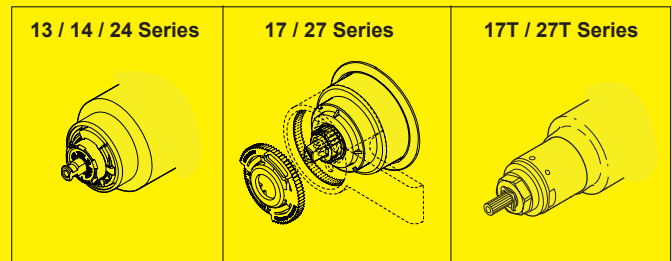
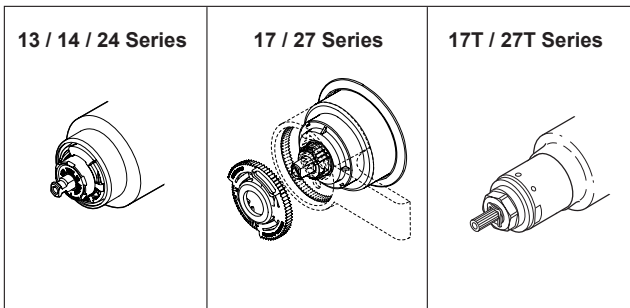
AVIS À L'INSTALLATEUR: Placez cette étiquette près de la soupape à un endroit où le propriétaire pourra la voir, du côté intérieur de la porte de l'armoire ou du meuble par exemple.

AVERTISSEMENT:

La température de l'eau peut varier en raison des changements de saison, d'une modification du réglage du chauffe-eau ou d'autres changements. Par conséquent, un réglage du bouton de température de votre soupape de douche ou de baignoire peut s'imposer pour que la température maximale de l'eau demeure sécuritaire. Les soupapes de cette série ne s'ajustent pas automatiquement aux changements de température de l'eau d'alimentation. Si des changements vous obligent à régler le bouton de température et vous n'êtes pas certain de la marche à suivre, veuillez consulter le feuillet d'instructions fourni avec la soupape ou appeler au 1-800-345-DELTA. Cette soupape est conçue pour réduire les risques de blessures causées par des changements de la température ou de la pression de l'eau d'alimentation habituellement causés par le lave-vaisselle, la machine à laver, une toilette ou un autre appareil qui consomme de l'eau. Elle peut ne pas assurer de protection contre l'ébouillantage en cas de défectuosité d'un autre dispositif de régulation de la température dans la tuyauterie. Après avoir effectué le réglage nécessaire, veuillez inscrire l'information requise ci-dessous. La personne dont le nom figure ci-dessous a réglé cette soupape pour qu'elle puisse maintenir une température maximale sécuritaire. Toute modification du réglage peut entraîner une élévation de la température de l'eau s'écoulant par la douche ou dans la baignoire au delà de la limite considérée sécuritaire, ce qui pourrait causer un ébouillantage. Si cette étiquette n'a pas été remplie, vous devriez vous assurer que le bouton de température a été réglé en fonction des caractéristiques de votre installation. Le feuillet d'instruction fourni avec la soupape indique la marche à suivre pour effectuer le réglage.

TO BE FILLED OUT BY THE INSTALLER / PARA SER LLENADO POR EL INSTALADOR / A REMPLIR PAR L'INSTALLATEUR:

BY/POR/PAR _____ COMPANY/COMPANIA/COMPAGNIE _____
DATE/FECHA/LE _____ PHONE/TELÉFONO/TELÉPHONE _____





see what Delta can do™

MultiChoice® Valve Trim Installation Instructions

Owners Manual

17T Series

107530



X00107530

Write purchased model number here.

You May Need

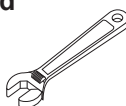
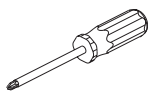


Table of Contents:

Warranties	Page 2
Installation Instructions	Pages 3 - 7
Clean and care	Page 8
Maintenance	Page 8
Cartridge Summary Reference Sheet	Page 8

To order replacement parts, visit www.deltafaucet.com/service-parts

CAUTION: This system/device must be set by the installer to ensure safe, maximum temperature. Any change in the setting may raise the discharge temperature above the limit considered safe and may lead to hot water burns.

NOTICE TO INSTALLER: CAUTION!—As the installer of this valve, it is your responsibility to properly INSTALL and ADJUST this valve per the instructions given. This valve does not automatically adjust for inlet temperature changes, therefore, someone must make the necessary temperature knob adjustments at the time of installation and further adjustments may be necessary due to seasonal water temperature change. **YOU MUST** inform the owner/user of this requirement by following the instructions. If you or the owner/user are unsure how to properly make these adjustments please refer to page 7 and if still uncertain, call us at 1-800-345-DELTA.

After installation and adjustment, you must affix your name, company name and the date you adjusted the temperature knob to the caution

label provided and apply or attach the label to the back side of the closest cabinet door and the warning label to the water heater. **Leave this Instruction Sheet for the owner's/user's reference. WARNING:** This pressure balanced or thermostatic bath valve is designed to minimize the effects of outlet water temperature changes due to inlet pressure changes, commonly caused by dishwashers, washing machines, toilets and the like. It may not provide protection from hot water burns when there is a failure of other temperature controlling devices elsewhere in the plumbing system, if the temperature knob is not properly set or if the hot water temperature is changed after the settings are made or if the water inlet changes due to seasonal changes. **WARNING:** Do not install a shut-off device on either outlet of this valve. When this type of device shuts off the water flow, it can defeat the ability of the valve to balance the hot and cold water pressures.

17T Series

17T Series

17T Series

Limited Warranty on Delta® Faucets

Parts and Finish: All parts (other than electronic parts and batteries) and finishes of Delta® faucets purchased from authorized Delta sellers are warranted to the original consumer purchaser to be free from defects in material and workmanship for as long as the original consumer purchaser owns the home in which the faucet was first installed. For commercial purchasers, (a) the warranty period is ten (10) years for multi-family residential applications and (b) five (5) years for all other commercial applications, in each case from the date of original purchase. For purposes of this warranty, the term "multi-family residential application" refers to the purchase of the faucet from an authorized Delta seller by a purchaser who owns but does not live in the residential dwelling in which the faucet is initially installed, such as in a rented or leased single unit or multi-unit detached home (duplex or townhome), or a condominium, apartment building or community living center. The following installations are not considered multi-family residential applications, are excluded from the 10-year warranty and are subject to the 5-year warranty: industrial, institutional or other business premises, such as a dormitory, hospitality premises (hotel, motel or extended stay location), airport, educational facility, long- or short-term healthcare facility (hospital, rehabilitation center, nursing, assisted or staged-care living unit), public space or common area.

Parts and Finish for Delta® Recertified Faucets: Delta Faucet Company offers for sale online Delta® Recertified faucets. Delta® Recertified faucets only include faucets that have been certified as such by Delta Faucet Company. All parts (other than electronic parts and batteries) and finishes of these Delta® Recertified faucets are warranted to the original consumer purchaser to be free from defects in material and workmanship for ten (10) years from the date of original purchase. For commercial purchasers, the warranty period is one (1) year from the date of original purchase.

Electronic Parts: Electronic parts (other than batteries), if any, of Delta® faucets purchased from deltafaucet.com or authorized Delta sellers are warranted to the original consumer purchaser to be free from defects in material and workmanship for five (5) years from the date of original purchase or, for commercial purchasers, for one (1) year from the date of original purchase. No warranty is provided on batteries.

What We Will Do: Delta Faucet Company will repair or replace, free of charge, during the applicable warranty period (as described above), any part or finish that proves defective in material and/or workmanship under normal installation, use and service. Delta Faucet Company may, in its sole discretion, use new, refurbished or recertified parts or products for such repair or replacement. If repair or replacement is not practical, Delta Faucet Company may elect to refund the purchase price in exchange for the return of the product. **These are your exclusive remedies.**

What Is Not Covered: Because Delta Faucet Company is unable to control the quality of Delta products sold by unauthorized sellers, unless otherwise prohibited by law, this warranty does not cover Delta products purchased from unauthorized sellers.

Any labor charges incurred by the purchaser to repair, replace, install or remove this product are not covered by this warranty. Delta Faucet Company shall not be liable for any damage to the faucet resulting from reasonable wear and tear, outdoor use, misuse (including use of the product for an unintended application), freezing water, abuse, neglect or improper or incorrectly performed installation, maintenance or repair, including failure to follow the applicable care and cleaning instructions. Delta Faucet Company recommends using a professional plumber for all installation and repair of faucets. We also recommend that you use only genuine Delta® replacement parts.

What You Must Do To Obtain Warranty Service or Replacement Parts: A warranty claim may be made and replacement parts may be obtained by calling 1 800 345 DELTA (3358) or by contacting us by mail or online as follows (please include your model number and date of original purchase):

In the United States and Mexico:

Delta Faucet Company
55 E. 11th Street
Indianapolis, IN 46280
Attention: Warranty Service
www.deltafaucet.com/service-parts/contact-us

In Canada:

Masco Canada Limited, Plumbing Group
Technical Service Centre
350 South Edgeware Road
St. Thomas, Ontario, Canada N5P 4L1
Attention: Customer Service
<http://www.deltafaucet.com/customersupport/assistance.html>

Proof of purchase (original sales receipt) from the original purchaser must be made available to Delta Faucet Company for all warranty claims unless the purchaser has registered the product with Delta Faucet Company or the product is a Delta® Recertified product purchased from deltafaucet.com. This warranty applies only to Delta® faucets manufactured after January 1, 2019 and installed in the United States of America, Canada and Mexico.

Limitation on Duration of Implied Warranties. Please note that some states/provinces (including Quebec) do not allow limitations on how long an implied warranty lasts, so the below limitations may not apply to you. TO THE MAXIMUM EXTENT PERMITTED BY APPLICABLE LAW, ANY IMPLIED WARRANTY, INCLUDING THE IMPLIED WARRANTIES OF MERCHANTABILITY AND OF FITNESS FOR A PARTICULAR PURPOSE, IS LIMITED TO THE STATUTORY PERIOD OR THE DURATION OF THIS WARRANTY, WHICHEVER IS SHORTER.

Limitation of Special, Incidental or Consequential Damages. Please note that some states/provinces (including Quebec) do not allow the exclusion or limitation of special, incidental or consequential damages, so the below limitations and exclusions may not apply to you. TO THE MAXIMUM EXTENT PERMITTED BY APPLICABLE LAW, THIS WARRANTY DOES NOT COVER, AND DELTA FAUCET COMPANY SHALL NOT BE LIABLE FOR, ANY SPECIAL, INCIDENTAL OR CONSEQUENTIAL DAMAGES (INCLUDING LABOR CHARGES TO REPAIR, REPLACE, INSTALL OR REMOVE THIS PRODUCT), WHETHER ARISING OUT OF BREACH OF ANY EXPRESS OR IMPLIED WARRANTY, BREACH OF CONTRACT, TORT, OR OTHERWISE. DELTA FAUCET COMPANY SHALL NOT BE LIABLE FOR ANY DAMAGE TO THE FAUCET RESULTING FROM REASONABLE WEAR AND TEAR, OUT-DOOR USE, MISUSE (INCLUDING USE OF THE PRODUCT FOR AN UNINTENDED APPLICATION), FREEZING WATER, ABUSE, NEGLIGENCE OR IMPROPER OR INCORRECTLY PERFORMED INSTALLATION, MAINTENANCE OR REPAIR, INCLUDING FAILURE TO FOLLOW THE APPLICABLE INSTALLATION, CARE AND CLEANING INSTRUCTIONS. Notice to residents of the State of New Jersey: The provisions of this warranty, including its limitations, are intended to apply to the fullest extent permitted by the laws of the State of New Jersey.

Additional Rights: This warranty gives you specific legal rights, and you may also have other rights which vary from state/province to state/province.

This is Delta Faucet Company's exclusive written warranty and the warranty is not transferable.

If you have any questions or concerns regarding our warranty, please contact us as provided above or view our Warranty FAQs at www.deltafaucet.com.

© 2022 Delta Faucet Company

Delta HDF Limited Warranty

All parts of the Delta HDF faucet are warranted to the original consumer purchaser to be free from defects in material and workmanship for a period of five (5) years. This warranty is made to the original consumer purchaser and shall be effective from date of purchase as shown on purchaser's receipt.

Delta will replace, FREE OF CHARGE, during the warranty period, any part which proves defective in material and/or workmanship under normal installation, use and service. Replacement parts can be obtained from your local dealer or distributor listed in the telephone directory or by returning the part along with the purchaser's receipt to our factory, TRANSPORTATION CHARGES PREPAID, at the address listed. THIS WARRANTY IS THE ONLY EXPRESS WARRANTY MADE BY DELTA. ANY CLAIMS MADE UNDER THIS WARRANTY MUST BE MADE DURING THE FIVE YEAR PERIOD REFERRED TO ABOVE. ANY IMPLIED WARRANTIES, INCLUDING THE IMPLIED WARRANTY OF MERCHANTABILITY OR FITNESS FOR A

PARTICULAR PURPOSE, ARE LIMITED IN DURATION TO THE DURATION OF THIS WARRANTY. LABOR CHARGES AND/OR DAMAGE INCURRED IN INSTALLATION, REPAIR OR REPLACEMENT AS WELL AS INCIDENTAL AND CONSEQUENTIAL DAMAGES CONNECTED THEREWITH ARE EXCLUDED AND WILL NOT BE PAID BY DELTA.

Some states do not allow limitations on how long an implied warranty lasts, or the exclusion or limitation of incidental or consequential damages, so the above limitations or exclusions may not apply to you.

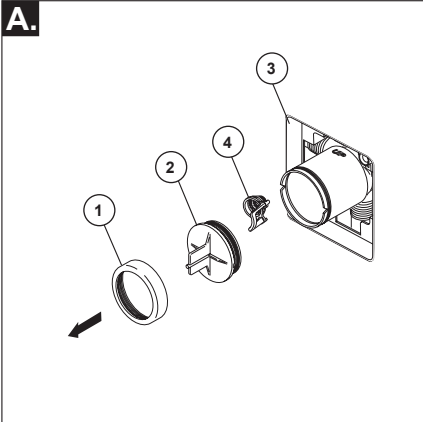
This warranty gives you specific legal rights, and you may also have other rights which vary from state to state.

This warranty is void for any damage to this faucet due to misuse, abuse, neglect, accident, improper installation, any use violative of instructions furnished by us or any use of replacement parts other than genuine Delta parts.

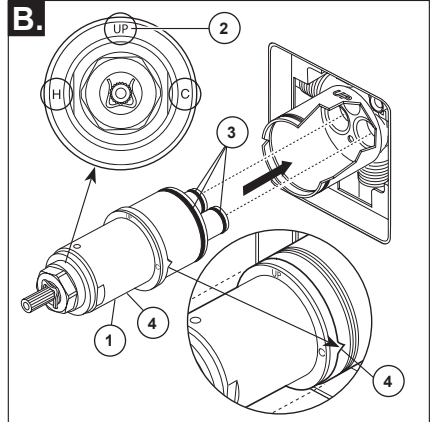
© 2022 Delta Faucet Company

1

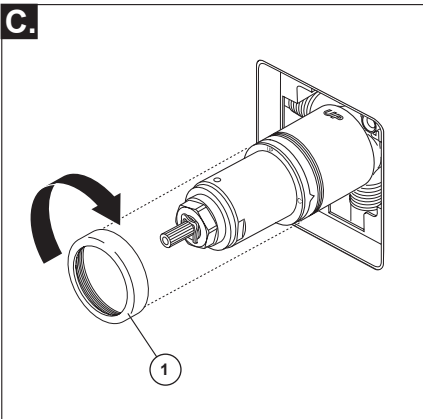
Cartridge Installation



Turn off water supplies. Remove bonnet nut (1) and test cap (2) from the body. Place a bucket or small container over the front of the valve body and slowly open the water supplies to flush any debris from the supply lines before installing the cartridge. Turn the water supplies back off. If this is not a thin wall mounting, the entire plasterguard (3) may be removed. If screen (4) is in place, remove before installing cartridge.

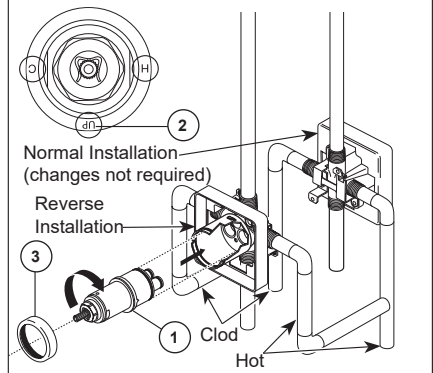


Rotate the cartridge (1) so the word "UP" (2) appears on the top. The "H" must be on the hot side and the "C" must be on the cold side. Add silicone lube to the three o-rings (3) shown above to make the cartridge easier to install and remove from the valve body. Insert cartridge into valve body as shown. Ensure the keys on the body are fully engaged with the slots in the body (4).



Slide bonnet nut (1) over the cartridge and thread onto the body. Hand tighten securely.

Back to back Installation

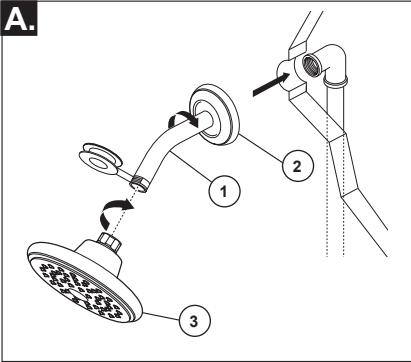


For the exceptions of back to back or reverse installations (hot on right and cold on left) only: Rotate cartridge (1) so "H" is on the hot side and "C" is on the cold side and the word "UP" (2) appears on the bottom. Add silicone lube to the three o-rings shown above to make the cartridge easier to install and remove from the valve body. Install the cartridge making sure that the keys are fully engaged with the slot in the brass body (see step B). Slide bonnet nut (3) over the cartridge and thread onto the body. Hand tighten securely.

2

Shower Head and Tub Spout Installation

A.



FOR SHOWER HEAD INSTALLATION:

Apply plumber tape to pipe threads on both ends of the shower arm (1). To prevent damage to finish on shower arm, insert wall end of shower arm into shower flange (2) before screwing arm into riser connection.

Thread shower head (3) onto shower arm. Do not overtighten shower head.

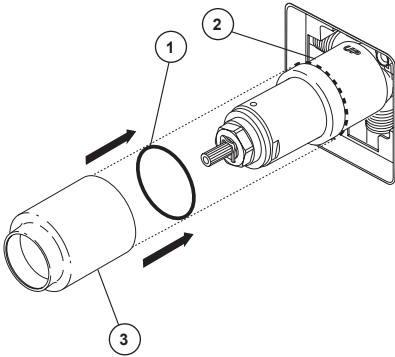
FOR TUB SPOUT INSTALLATION:

Refer to the installation instructions supplied with your spout. Do not connect deck mount spouts to in-wall valves. Do not use hand showers connected in lieu of a tub spout to a tub/shower valve. Do not use PEX tubing for tub spout drop.

3

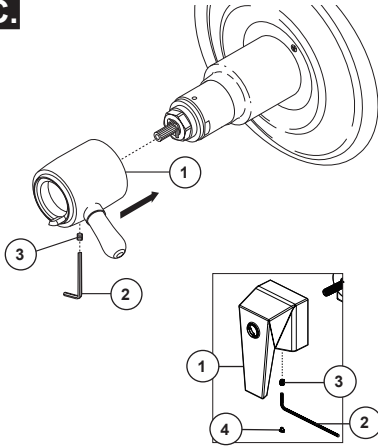
Valve Trim Installation

A.



Slide O-ring (1) over cartridge and the bonnet nut (2). The O-ring, which acts as a spacer to steady the sleeve, should rest behind the bonnet nut. Slide the sleeve (3) over the cartridge, body and O-ring. Ensure sleeve is properly positioned over the front of cartridge.

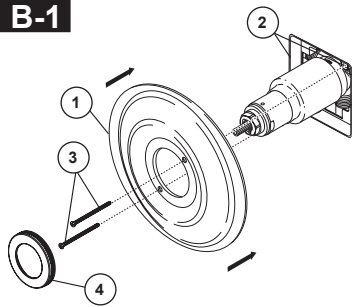
C.



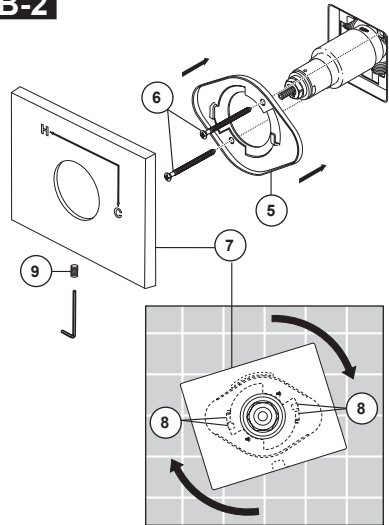
Install volume control handle (1) with lever to the right, using an Allen wrench (2) to secure with the set screw (3).

Install volume control handle (1) with lever pointing down, using an Allen wrench (2) to secure with the set screw (3). Cover set screw with handle button (4).

B-1



B-2



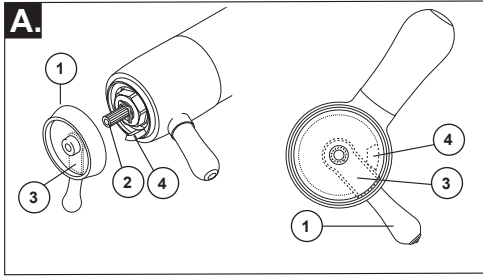
Note: Adjust for up to 1" thick wall. For thick wall installation, visit [delta faucet website](http://deltafaucet.com), check "view technical specification" of the models you bought, order the appropriate thick wall installation kit RP to get additional 1 3/4" wall thickness.

B-1: Secure the escutcheon (1) to the bracket (2) with the 2 screws (3) provided. Do not overtighten escutcheon screws. Press the cover (4) onto the escutcheon (1) when your product includes the cover.

B-2: Install bracket (5) over the cartridge body using the 2 screws (6) provided. Install escutcheon (7) by placing it over the bracket as shown and rotating it to lock the tabs (8). Secure the escutcheon to the bracket using set screw (9).

4

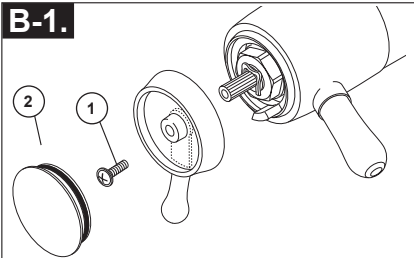
Installation and Adjustment of the Temperature Knob Failure to do so may cause injury.



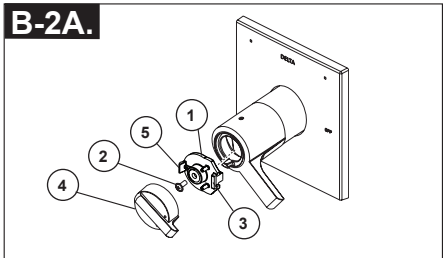
A. Adjust temperature limit stop!

Turn on water supplies; LET THE WATER RUN AT BOTH FULL HOT AND FULL COLD TO ENSURE THE WATER IS RUNNING AS HOT/COLD AS POSSIBLE. Place a thermometer in a plastic tumbler, and hold the tumbler in the water stream. Place the temperature knob (1) onto the splines (2), then rotate the temperature knob counter-clockwise until you achieve your maximum desired temperature from the outlet (not more than 120° or the lower temperature mandated by your local plumbing code).

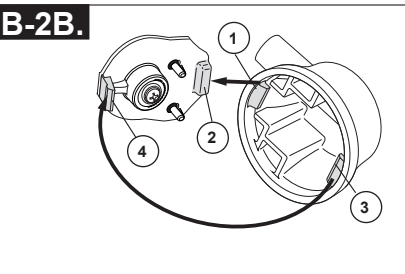
If max temperature is not achieved before limit stop (3) on temperature knob (1) meets the limit stop (4) on the volume control handle. Remove the temperature control knob (1) from splines (2). Rotate temperature control knob (1) clockwise. Place temperature control knob (1) back onto splines (2) and continue to rotate counter-clockwise until maximum desired temperature is achieved. Remove the temperature knob (1) and replace onto the splines (2), making sure that the temperature knob limit stop (3) hits against the volume handle limit stop (4) as shown.



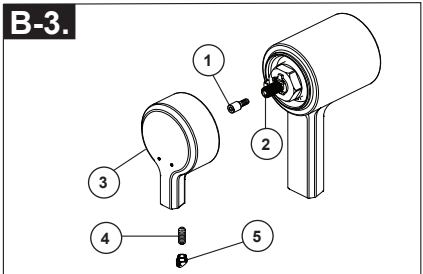
Secure the temperature knob using screw (1) and plate cap (2) on knob.



Secure temperature control knob (1) with screw (2). Hook (3) front of temperature control cover (4) onto knob (1) before engaging rear snap (5).

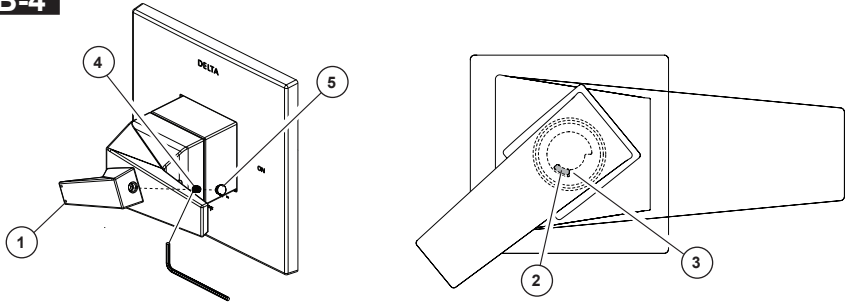


Snap temperature control cover over temperature control knob by first aligning smaller tab (1) on cover with receiving slot (2) on temperature knob. Swing larger tab (3) to engage with snap feature (4). Note: If dis-assembly is required, reverse this motion, disengaging larger tab (3) from snap feature (4) first.



Attach spacer screw (1) to valve stem (2). Slide temperature control handle (3) into place over spacer screw (1) and secure using set screw (4). Cover with decorative button (5).

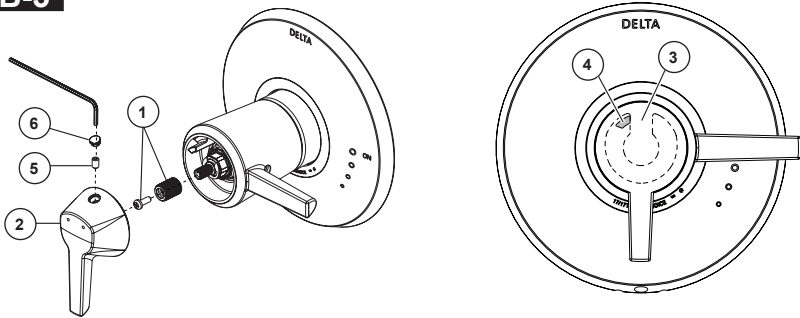
B-4



Temperature handle Installation

Turn on water supplies; LET THE WATER RUN AT BOTH FULL HOT AND FULL COLD TO ENSURE THE WATER IS RUNNING AS HOT/COLD AS POSSIBLE. Place the temperature handle (1) onto the spline, then rotate the temperature handle until you achieve your maximum desired temperature from the outlet (not more than 120° or the lower temperature mandated by your local plumbing code). Then take off the temperature handle and assemble it onto the spline again to make sure the temperature handle limit stop (2) hits against the volume handle limit stop (3) as shown. Install temperature handle with set screw (4), cover set screw with handle button (5).

B-5



Temperature handle Installation

Turn on water supplies; LET THE WATER RUN AT BOTH FULL HOT AND FULL COLD TO ENSURE THE WATER IS RUNNING AS HOT/COLD AS POSSIBLE. Insert sleeve and screw (1) to stem, screw must securely hold stem in place. Place the temperature handle (2) onto the spline, then rotate the temperature handle until you achieve your maximum desired temperature from the outlet (not more than 120° or the lower temperature mandated by your local plumbing code). Then take off the temperature handle and assemble it onto the spline again to make sure the temperature handle limit stop (3) hits against the volume handle limit stop (4) as shown. Install temperature handle with set screw (5), cover set screw with handle button (6).

5

Potential scald or thermal shock injury could result due to cross flow if outlet at the shower is blocked or restricted (e.g., pause control on showerhead). Be sure to point showerhead away from you when re-starting flow or install inlet check valves on both supply lines to prevent possible injury.

Cleaning and Care

Care should be given to the cleaning of this product. Although its finish is extremely durable, it can be damaged by harsh abrasives or polish. To clean, simply wipe gently with a damp cloth and blot dry with a soft towel.

Warning: *Scrubbing Bubbles® Bathroom Cleaner and Lyso® Basin Tub and Tile Cleaner* must not be used on the clear knob handles and levers. Use of these cleaners can result in cracked or severely damaged handles. If overspray gets onto the handles, immediately wipe them dry with a soft cotton cloth.

Maintenance

Cannot receive more than a trickle of water:

Both hot and cold supply lines must be pressurized. If only one side is pressurized, the system will not allow adequate flow of water.

Faucet leaks from showerhead:

Remove the showerhead then turn the water on and off to verify if the cartridge is leaking or the showerhead is draining slowly (the showerhead may need to be cleaned if water drains slowly).

If leak persists -SHUT OFF WATER SUPPLIES

Replace cartridge assembly - RP47201.

Unable to set or maintain mixed water temperature:

SHUT OFF WATER SUPPLIES. Remove handle assembly, trim sleeve, and bonnet nut. Check to make sure the "H" marking on the cartridge aligns with the hot inlet and the "C" marking on the cartridge aligns with the cold inlet to the valve body. The thermostatic cartridge cannot function if hot and cold inlets are reversed.

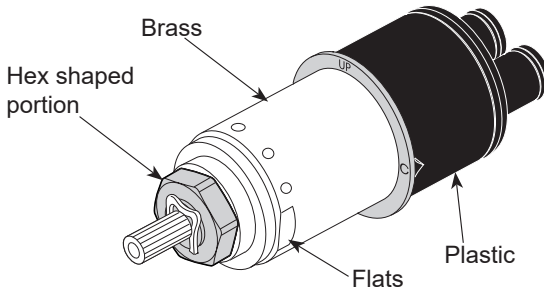
Low flow:

Low flow may be caused by clogged screens within the thermostatic cartridge. To clean the hot and cold screens in the cartridge, follow the steps below:

1. SHUT OFF WATER SUPPLIES.
2. Remove the handle assembly.
3. Unscrew the hex shaped portion of the cartridge from the brass section of the cartridge. The brass section must be held securely by the flats while the hex is rotated counter-clockwise. Failure to secure the brass section while rotating the hex can result in damage to the cartridge. (See illustration below)
4. Carefully clean any debris from the screens under running water. If the debris is difficult to remove then soak the screens overnight in a 50% water and 50% vinegar solution.
5. Reassemble the cartridge.
6. Replace the handle.
7. Turn the water back on.
8. Reset the limit stop before using the valve.

Cartridge Summary Reference Sheet

17T



**Order RP47201 to
Replace Cartridge.**



see what Delta can do™

107530

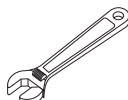
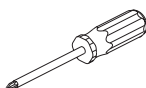
Instrucciones para la Instalación del Accesorio para Válvulas MultiChoice®

Manual para los Propietarios

17T Series

Escriba aquí el número del modelo comprado.

Usted puede necesitar



Contenido:

Garantías	Page 2
Instrucciones de Instalación	Pages 3 - 7
Limpieza y Cuidado de su Liave	Page 8
Mantenimiento	Page 8
Hoja resumen de referencia para el cartucho	Page 8

Para ordenar las piezas de repuesto, visítenos en www.deltafaucet.com/service-parts

ADVERTENCIA: El instalador debe apostar este sistema/divisa para garantizar temperatura máximo y seguro. Cualquier cambio en el ajuste puede subir la temperatura del agua de descarga sobre el límite considerado seguro y puede resultar en quemaduras de agua caliente.

AVISO PARA EL INSTALADOR: PRECAUCIÓN
– Como instalador de esta válvula, es su responsabilidad de **INSTALAR Y AJUSTAR** apropiadamente esta válvula como se describe en las instrucciones, por lo tanto, debe haber una persona para hacer los ajustes necesarios del pomo para la temperatura en el momento que se haga la instalación y pueda necesitar ajustes adicionales por los cambios estacionales de la temperatura del agua. **USTED DEBE** informarle al dueño/usuario sobre este requisito siguiendo las instrucciones. Si usted o el dueño/usuario no están seguros como hacer estos ajustes apropiadamente, por favor refiérase al **Página 7** y si todavía no está seguro, llámenos al **1-800-345-DELTA**.

Después de hacer la instalación y el ajuste, usted puede agregarle a la etiqueta de aviso proporcionada, su nombre, el nombre de la compañía y la fecha cuando ajustó pomo para la temperatura y aplicar

o fijar la etiqueta al dorso de la puerta del gabinete más cercano y la etiqueta de aviso al calentador de agua. Deje la Hoja de Instrucciones para referencia del dueño/usuario. **ADVERTENCIA:** Esta válvula de presión balanceada y termostática está diseñada para minimizar los efectos de los cambios de temperatura de agua por causa de los cambios de presión en el agua de entrada, comúnmente causados por lavadoras de platos, lavadoras de ropa, inodoros, y otros aparatos por el estilo. Puede no proporcionar protección de quemaduras de agua caliente cuando hay alguna falla de otros aparatos para el control de temperatura en otro sitio en el sistema de plomería. También no proporcionará protección si el pomo para el ajuste de la temperatura no está apropiadamente fijo o si cambia la temperatura del agua caliente después de hacer los ajustes o si los cambios del agua de entrada son por los cambios estacionales. **ADVERTENCIA:** No instale un aparato de corte o cierre en cualquiera de las tomas de esta válvula. Cuando este tipo de aparato cierra el flujo de agua, puede hacer fallar la habilidad de la válvula de balancear las presiones del agua caliente y fría.

Garantía limitada en llaves de agua - grifos Delta®

Piezas y Acabado: Todas las piezas (excepto las piezas electrónicas y las baterías) y los acabados de las llaves de agua-grifos Delta® comprados a vendedores autorizados de Delta están garantizados al comprador consumidor original de no tener defectos de material y fabricación durante el tiempo que el comprador consumidor original sea dueño de la casa en la que el grifo se instaló por primera vez. Para compradores comerciales, (a) el período de garantía es de diez (10) años para aplicaciones residenciales multifamiliares y (b) cinco (5) años para todas las demás aplicaciones comerciales, en cada caso a partir de la fecha de compra original. Para los fines de esta garantía, el término "aplicación residencial multifamiliar" se refiere a la compra del grifo a un vendedor autorizado de Delta por parte de un comprador que es propietario, pero quien no reside en la vivienda en la que se instaló inicialmente el grifo, como en una unidad individual alquilada o arrendada o en una vivienda unifamiliar de unidades múltiples (dúplex o casa adosada), o en un condominio, edificio de apartamentos o centro de viviendas comunitarias. Las siguientes instalaciones no se consideran aplicaciones residenciales multifamiliares, están excluidas de la garantía de 10 años y están sujetas a la garantía de 5 años: instalaciones industriales, institucionales u otras instalaciones comerciales, como dormitorios, instalaciones de hospitalidad (hotel, motel o ubicación de estancia prolongada), aeropuerto, centro educativo, centro de atención médica a corto o largo plazo (hospital, centro de rehabilitación, asilo de ancianos, unidad de vivienda asistida o de atención por etapas), espacio público o área común.

Piezas y acabados para llaves de agua-grifos recertificadas Delta®: Delta Faucet Company ofrece a la venta en línea grifos recertificados Delta®. Los grifos recertificados de Delta® solo incluyen grifos que han sido certificados como tales por Delta Faucet Company. Todas las piezas (excepto las piezas electrónicas y las baterías) y los acabados de estas llaves de agua recertificadas de Delta® están garantizados al comprador consumidor original de no tener defectos de material y fabricación durante diez (10) años a partir de la fecha de compra original. Para compradores comerciales, el período de garantía es de un (1) año a partir de la fecha de la compra original.

Piezas electrónicas: Se garantiza al comprador consumidor original que las piezas electrónicas (aparte de las pilas), si las hubiera, de las llaves de agua Delta® compradas en delta-faucet.com o a vendedores autorizados de Delta, estarán libres de defectos de material y fabricación durante cinco (5) años a partir de la fecha de compra original o, para compradores comerciales, durante un (1) año a partir de la fecha de compra original. No se proporciona garantía en las pilas.

Lo que haremos: Delta Faucet Company reparará o reemplazará, sin cargo, durante el período de garantía aplicable (como se describe anteriormente), cualquier pieza o acabado que resulte defectuoso en material y/o fabricación bajo condiciones normales de instalación, uso y servicio. Delta Faucet Company puede, a su exclusivo criterio, usar piezas o productos nuevos, reacondicionados o recertificados para dicha reparación o reemplazo. Si la reparación o el reemplazo no son prácticos, Delta Faucet Company puede optar por reembolsar el precio de compra a cambio de la devolución del producto. **Estas son sus rectificaciones exclusivas.**

Lo que esta garantía no cubre: Debido a que Delta Faucet Company no puede controlar la calidad de los productos Delta vendidos por vendedores no autorizados, a menos que la ley lo prohíba, esta garantía no cubre los productos Delta comprados a vendedores no autorizados.

La garantía no cubre cualquier costo de labor incurrido por el comprador para reparar, reemplazar, instalar o desmontar este producto. Delta Faucet Company no será responsable por cualquier daño al grifo que resulte del desgaste razonable, uso en el exterior, uso indebido, (incluyendo el uso del producto para una aplicación indebida), agua helada, abuso, negligencia o la instalación, el mantenimiento o la reparación, incluido el incumplimiento de las instrucciones de cuidado y limpieza correspondientes. Delta Faucet Company recomienda los servicios de un plomero profesional para toda instalación y reparación de los grifos. También recomendamos que use solo piezas de repuestos genuinas Delta®.

Lo que usted debe hacer para obtener servicio de garantía o piezas de repuesto: Se puede hacer un reclamo para la garantía y se pueden obtener piezas de repuesto llamando al 1 800 345 DELTA (3358) o contactándonos por correo postal o electrónico como indicado (favor incluya el número del modelo y la fecha de compra):

En los Estados Unidos y México:

Delta Faucet Company
55 E. 111th Street
Indianapolis, IN 46280
Atención: Warranty Service
www.deltafaucet.com/service-parts/contact-us

En Canadá:

Masco Canada Limited, Plumbing Group
Technical Service Centre
350 South Edgeware Road
St. Thomas, Ontario, Canada N5P 4L1
Atención: Customer Service
<http://www.deltafaucet.ca/customersupport/assistance.html>

El comprobante de compra (recibo de venta original) del comprador original debe ser disponible a Delta Faucet Company para todos los reclamos de garantía a menos que el comprador haya registrado el producto en Delta Faucet Company o es un producto recertificado de Delta® comprado de deltafaucet.com. Esta garantía aplica solo a las llaves de agua/grifos Delta® fabricados después de enero 1, 2019 e instalados en los Estados Unidos de América, Canadá y México.

La limitación de la duración de las garantías implícitas. Favor de tomar nota que algunos estados/provincias (incluyendo Quebec) no permiten las limitaciones de la duración de una garantía implícita por lo que las limitaciones a continuación puedan no aplicarse. HASTA EL ALCANCE MÁXIMO EN QUE LA LEY LO PERMITA, CUALQUIER GARANTÍA IMPLÍCITA, INCLUIDAS LAS GARANTÍAS IMPLÍCITAS DE COMERCIABILIDAD Y DE IDONEIDAD PARA UN PROPOSITO PARTICULAR, ESTÁ LIMITADA AL PERÍODO LEGAL O A LA DURACIÓN DE ESTA GARANTÍA, LO QUE SEA MÁS CORTO.

Limitación de daños especiales, incidentales o consiguientes. Tenga en cuenta que algunos estados/provincias (incluyendo Quebec) no permiten la exclusión o limitación de daños especiales, incidentales o consiguientes, por lo que las limitaciones y exclusiones a continuación puedan no aplicarse. HASTA EL ALCANCE MÁXIMO PERMITIDO POR LA LEY APLICABLE, ESTA GARANTÍA NO CUBRE, Y DELTA FAUCET COMPANY NO SERÁ RESPONSABLE DE DAÑOS ESPECIALES, INCIDENTALES O CONSECUENTES (INCLUIDOS LOS COSTOS LABORALES PARA REPARAR, REEMPLAZAR, INSTALAR O RETIRAR ESTE PRODUCTO) SEAN EL RESULTADO DE INCUMPLIMIENTO DE CUALQUIER GARANTÍA EXPRESA O IMPLÍCITA, INCUMPLIMIENTO DE CONTRATO, AGRAVIO O DE OTRA MANERA. DELTA FAUCET COMPANY NO SE RESPONSABILIZARÁ POR CUALQUIER DAÑO AL PRODUCTO QUE RESULTE DEL DESGASTE RAZONABLE, USO EN EL EXTERIOR DE LA PROPIEDAD, USO INDEBIDO (INCLUYENDO EL USO DEL PRODUCTO PARA UNA APLICACIÓN NO INTENCIONADA), AGUA HELADA, ABUSO, NEGLIGENCIA O INSTALACIÓN, MANTENIMIENTO O REPARACIÓN INADECUADA O INCORRECTA, INCLUYENDO EL NO SEGUIR LAS INSTRUCCIONES CORRESPONDIENTES PARA LA INSTALACIÓN, EL CUIDADO, Y LA LIMPIEZA. Aviso para los residentes del estado de New Jersey: Las disposiciones de este documento tienen la intención de aplicarse al alcance máximo permitido por las leyes del estado de New Jersey.

Derechos adicionales: Esta garantía le otorga derechos legales específicos, y también puede tener otros derechos que varían de estado/provincia a estado/provincia.

Esta es la garantía escrita exclusiva de Delta Faucet Company y la garantía no es transferible.

Si tiene preguntas o dudas con respecto a nuestra garantía, por favor comuníquese con nosotros como se indica arriba o visite nuestro sitio web www.deltafaucet.com preguntas y respuestas frecuentes FAQs

© 2022 Empresa de grifos Delta

Garantía Limitada de Delta HDF

Todas las piezas de la llave Delta HDF están garantizadas al dueño original de estar libres de defectos en materiales y en la mano de obra por un período de cinco (5) años. Esta garantía se hace al dueño original y será efectiva el día de la compra como se ve en el recibo de compra.

Delta reemplazará, LIBRE DE CARGO, durante el período de la garantía, cualquier pieza que resulte defectuosa en materiales y/o en la mano de obra bajo instalación, uso y servicio normal. Las piezas de repuesto pueden ser obtenidas de su comerciante o distribuidor local que se encuentran en la guía telefónica o si usted devuelve la pieza con el recibo de compra a nuestra fábrica, Y LOS CARGOS DE TRANSPORTE PAGADOS CON ANTELACION, a la dirección dada. ESTA GARANTÍA ES LA ÚNICA GARANTÍA EXPRESA DE DELTA. CUALQUIER RECLAMO HECHO BAJO ESTA GARANTÍA TIENE QUE SER HECHO DURANTE EL PERÍODO DE CINCO AÑOS A QUE SE REFIERE ARRIBA. CUALQUIER GARANTÍA IMPLÍCITA, INCLUYENDO LA GARANTÍA IMPLÍCITA DE COMERCIABILIDAD O CONVENIENCIA PARA UN PROPOSITO PARTICULAR, SON LIMITADOS EN

DURACION A LA DURACION DE ESTA GARANTIA. LOS CARGOS PARA LA MANO DE OBRA Y/O DAÑOS INCURRIDOS EN LA INSTALACION, REPARACION O REEMPLAZO, ASI COMO LOS DAÑOS INCIDENTALES O CONSECUENTES CONECTADOS CON ELLOS SON EXCLUIDOS Y NO SERAN PAGADOS POR DELTA.

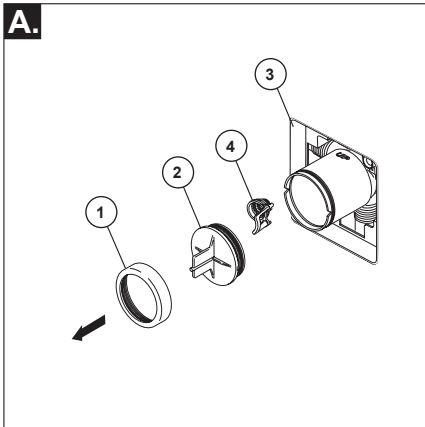
Algunos estados no permiten limitaciones al tiempo que dura la garantía implícita, o la exclusión o limitación de los daños incidentales o consiguientes, así que la limitación o exclusión expresada arriba puede no ser aplicable a usted.

Esta garantía le da a usted derechos legales específicos y usted puede también tener otros derechos que varían de estado a estado.

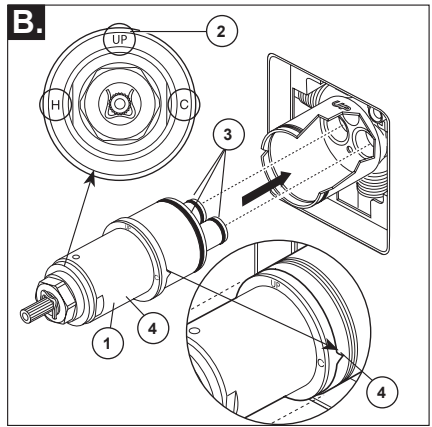
Esta garantía es nula por cualquier daño a esta llave que sea el resultado del mal uso, abuso, negligencia, accidente, instalación impropia, cualquier uso en violación de las instrucciones suministradas por nosotros o cualquier uso de piezas de repuesto que no sean piezas genuinas Delta.

© 2022 Delta Faucet Company

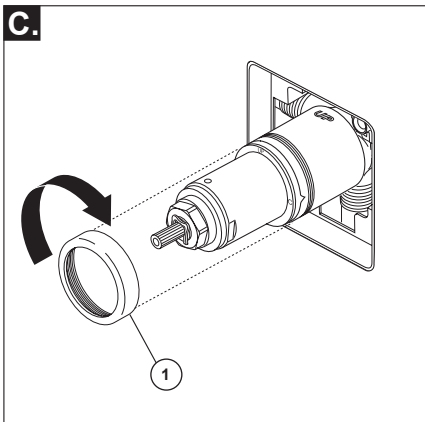
1 Instalación del Cartucho



Cierre los suministros de agua. Retire la tuerca tapa (1) y la tapa de prueba (2) del cuerpo. Coloque un balde o recipiente pequeño en la parte del frente del cuerpo de la válvula y lentamente abra el suministro de agua para eliminar cualquier residuo de las líneas de agua antes de instalar el cartucho. Cierre, de nuevo, el suministro de agua. Si no es para una instalación en pared delgada, puede quitar el protector de yeso completo (3). Si la rejilla o colador (4) está en su lugar, quítela antes de instalar el cartucho.

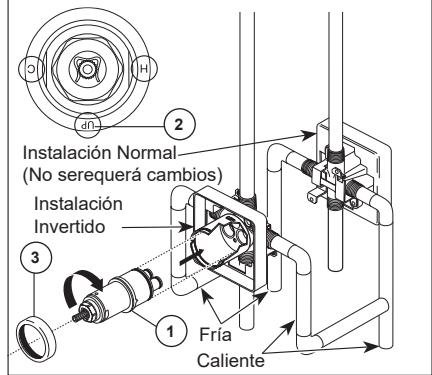


Gire el cartucho (1) de manera que la palabra "UP" (2) aparezca en la parte superior. La "H" debe estar en el lado caliente y la "C" debe estar en el lado frío. Agregue lubricante de silicón a las tres juntas tóricas (3) como se muestra más arriba para facilitar la instalación y la retirada del cartucho del cuerpo de la válvula. Inserte el cartucho en el cuerpo de la válvula como se muestra. Asegúrese que las llaves en el cuerpo están totalmente engranadas en las ranuras en el cuerpo (4).



Deslice la tuerca tapa (1) sobre el cartucho y enrosque en el cuerpo de la válvula. Apriete a mano bien.

Instalación de Espalda a Espalda

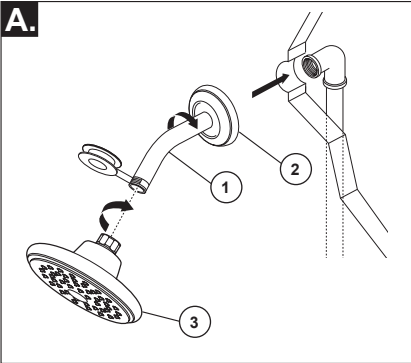


Solo para las excepciones en instalaciones de dorso con dorso o en reverso (el agua calienten la derecha y fría en la izquierda): Gire el cartucho (1) de manera que la "H" esté en el lado caliente y la "C" está en el lado frío y la palabra "UP" (2) aparece en la parte inferior. Agregue lubricante de silicón a las tres juntas tóricas (3) como se muestra más arriba para facilitar la instalación y la retirada del cartucho del cuerpo de la válvula. Inserte el cartucho en el cuerpo de la válvula como se muestra. Asegúrese que las llaves en el cuerpo de bronce (vea la página B). Deslice la tuerca tapa (3) sobre el cartucho y enrosque en el cuerpo. Apriete a mano bien.

2

Instalación de la Cabeza de la Regadera y el Surtidor de la Bañera

A.



INSTALACIÓN DE LA REGADERA / DUCHA:

Aplique cinta para plomero a las roscas en ambos extremos del brazo de la regadera (1). Para prevenir daño al acabado del brazo de la regadera, inserte el extremo de la pared del brazo de la regadera en la brida de ésta (2) antes de enroscar el brazo en la conexión a la tubería interior.

Enrosque la regadera (3) en el brazo de la regadera. No apriete la regadera demasiado.

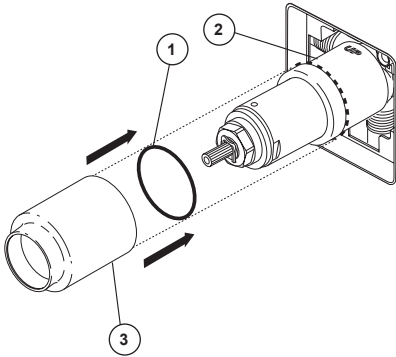
PARA LA INSTALACIÓN DEL SURTIDOR DE LA BAÑERA:

Refiérase a las instrucciones para la instalación suministradas con su surtidor. No conecte los surtidores para las instalaciones en las superficies horizontales en las válvulas dentro de las paredes. No use las regaderas de mano en vez de un surtidor de bañera conectado a una válvula de bañera/regadera. No use tubería PEX como tubería entre la válvula y el surtidor de la bañera.

3

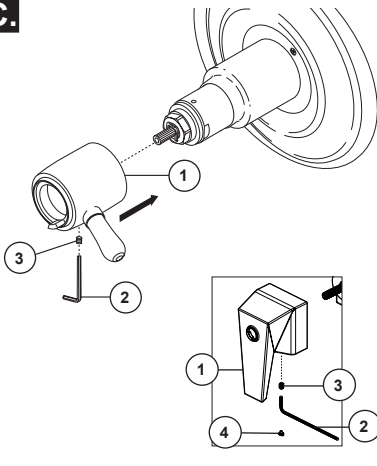
Instalación Final

A.



Deslice el aro O (1) sobre el cartucho y la tuerca tapa (2). El aro O, el cual funciona como un separador para estabilizar la manga, debe quedar apoyado en la tuerca tapa. Deslice la manga (3) sobre el cartucho, el cuerpo de la pieza y el aro O.

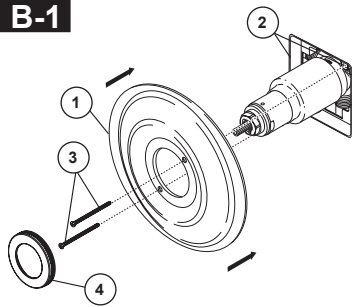
C.



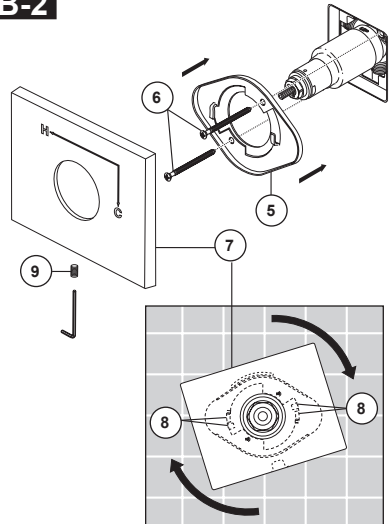
Instale el mango de control de volumen (1) con la palanca a la derecha, y utilice una llave Allen (2) para fijarlo con el tornillo de fijación (3).

Instale el mango de control de volumen (1) con la palanca apuntando hacia abajo, utilice una llave Allen (2) para fijarlo con el tornillo de fijación (3). Cubra el tornillo de fijación con el botón del mango (4).

B-1



B-2



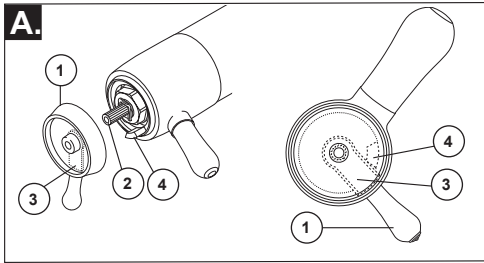
Nota: Ajuste para paredes de hasta 1" de espesor. Para la instalación en pared gruesa, visite el sitio web de delta faucet, verifique "ver especificaciones técnicas" de los modelos que ha comprado, pida el juego de instalación en pared de espesor adecuado RP para obtener un espesor adicional de pared de 1 3/4".

B-1: Fije la chapa de cubierta (1) al soporte (2) con los 2 tornillos (3) provistos. No apriete demasiado los tornillos de la chapa de cubierta. Presione la cubierta (4) sobre la chapa de cubierta (1) cuando la cubierta está incluida en su producto.

B-2: Instale el soporte (5) sobre el cuerpo de cartucho con los 2 tornillos (6) provistos. Instale la chapa de cubierta (7) colocándola sobre el soporte como se muestra y girándola para bloquear las pestañas (8). Fije la chapa de cubierta al soporte con el tornillo de fijación (9).

4

Instalación y Ajuste del Pomo de Temperatura El no hacerlo puede causar lesión.

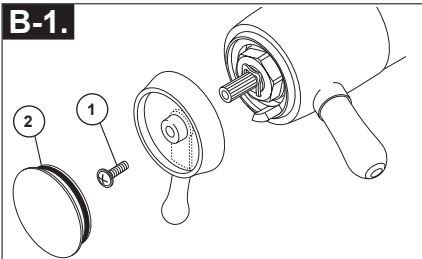


A: ¡Ajuste el tope del límite de temperatura!

Abra los suministros de agua; DEJE QUE CORRA EL AGUA CALIENTE Y FRÍA TOTALMENTE ABIERTA PARA ASEGURAR QUE EL AGUA ESTÁ FLUYENDO LO MÁS CALIENTE/FRÍA POSIBLE. Coloque un termómetro en un vaso plástico, y sostenga el vaso bajo un chorro de agua. Coloque la perilla de la temperatura (1) en las ranuras (2), y gire la perilla de la temperatura hacia la izquierda hasta alcanzar su máxima temperatura deseada de salida de agua (no más de 120° o la temperatura más baja autorizada por su código de plomería local). Si la temperatura máxima no se alcanza antes de llegar al tope del límite (3) en el

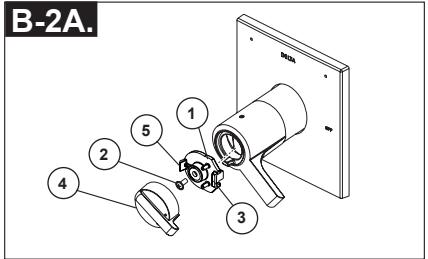
control de la temperatura (1) donde tropieza con el tope del límite rotacional (4) en la manija del control de volumen. Retire la perilla del control de temperatura (1) de las ranuras (2). Gire la perilla del control de temperatura (1) hacia la derecha. Coloque la perilla del control de temperatura (1) otra vez en las ranuras (2) y continúe girando hacia la izquierda hasta que alcanza la temperatura máxima deseada. Quite el pomo de la temperatura (1) y colóquela otra vez en las ranuras (2), asegurándose que el pomo del tope del límite de la temperatura (3) pegue contra la manija del tope del límite del volumen (4) como se muestra.

B-1.



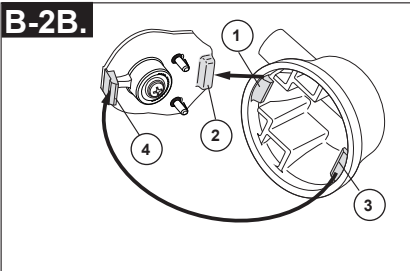
Fije el pomo de la temperatura usando un tornillo (1) y coloque la tapa (2) en el pomo.

B-2A.



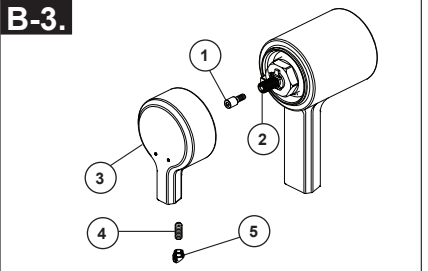
Fije la perilla para el control de la temperatura (1) con un tornillo (2). Gancho (3) delantero coloque la perilla para el control de couverture(4) encima de perilla (1) antes de la participación parte trasera instantánea (5).

B-2B.



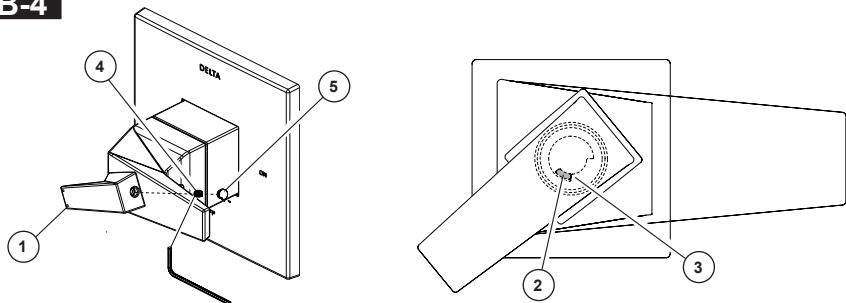
Coloque a presión la tapa del control de temperatura sobre el pomo del control de temperatura alineando primero la lengüeta más pequeña (1) con la muesca para encajar en la cubierta (2) ubicada en el pomo de temperatura. Gire la lengüeta más grande (3) para que encaje con el mecanismo de presión (4). Nota: Si requiere desarmar, repita estos pasos en reverso, desencajando primero la lengüeta más grande (3) del mecanismo de presión (4).

B-3.



Fije la perilla para el control de la temperatura (1) con un tornillo (2). Gancho (3) delantero coloque la perilla para el control de couverture (4) encima de perilla (1) antes de la participación parte trasera instantánea (5).

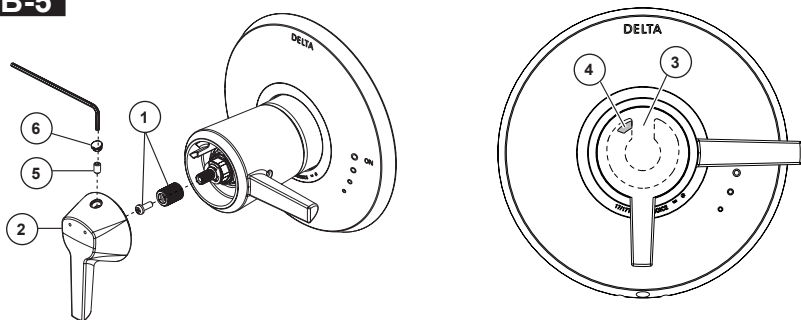
B-4



Instalación del mango de temperatura

Abra los suministros de agua; **DEJE CORRER EL AGUA TANTO EN CALIENTE COMPLETO COMO EN FRÍO COMPLETO PARA ASEGURARSE DE QUE EL AGUA CORRA DE MANERA TAN CALIENTE / FRÍA COMO POSIBLE.** Coloque el mango de temperatura (1) en la lengüeta, luego gírelo hasta que alcance la temperatura máxima deseada desde la salida (de no más de 120° o la temperatura mínima que exige su código de fontanería local). Después, retire el mango de temperatura y remóntelo en la lengüeta para asegurarse de que el tope límite del mango de temperatura (2) golpee contra el tope límite del mango de volumen (3) como se muestra. Instale el mango de temperatura con el tornillo de fijación (4), y cubra el tornillo de fijación con el botón del mango (5).

B-5



Instalación del mango de temperatura

Abra los suministros de agua; **DEJE CORRER EL AGUA TANTO EN CALIENTE COMPLETO COMO EN FRÍO COMPLETO PARA ASEGURARSE DE QUE EL AGUA CORRA DE MANERA TAN CALIENTE / FRÍA COMO POSIBLE.** Inserte el manguito y el tornillo (1) en el vástago, el tornillo debe mantener firmemente el vástago en su lugar. Coloque el mango de temperatura (2) en la lengüeta, luego gírelo hasta que alcance la temperatura máxima deseada desde la salida (de no más de 120° o la temperatura mínima que exige su código de fontanería local). Después, retire el mango de temperatura y remóntelo en la lengüeta para asegurarse de que el tope límite del mango de temperatura (3) golpee contra el tope límite del mango de volumen (4) como se muestra. Instale el mango de temperatura con el tornillo de fijación (5), y cubra el tornillo de fijación con el botón del mango (6).

5

Si la ducha está bloqueado o restringido, puede resultar posiblemente quemadura o lesión (por ejemplo, cesa a contral la ducha). Asegúrese salir ducha cuando encender otra vez el flujo o instalar válvulas para evitar lesión posible.

Limpeza y Cuidado de su Llave

Tenga cuidado al ir a limpiar este producto. Aunque su acabado es sumamente durable, puede ser afectado por agentes de limpieza o para pulir abrasivos. Para limpiar su llave, simplemente frótelas con un trapo húmedo y luego séquela con una toalla suave.

¡ADVERTENCIA! No se puede usar SCRUBBING BUBBLES® BATHROOM CLEANER o LYSOL® BASIN TUB AND TILE CLEANER en las manijas transparentes. El uso de estos productos pueden resultar en manijas rajados o severamente dañados. Si estos productos caen sobre la manija, séquelo inmediatamente con una toalla de algodón suave.

Mantenimiento

No recibe más de un goteo de agua:

Ambas líneas de suministro de agua, la caliente y la fría, deben estar presurizadas. Si sólo un lado está presurizado, el sistema no permitirá el flujo adecuado de agua.

Si la llave tiene fugas desde la regadera / ducha:

Retire la cabeza de la regadera luego, cierre y abra el flujo de agua y verifique si el cartucho tiene alguna fuga o si la regadera está escurriéndose lentamente (si el agua drena lentamente, puede ser necesario limpiar la cabeza de la regadera).

Si la filtración o fuga persiste -CIERRE LOS SUMINISTROS DE AGUA Cambie el cartucho - RP47201.

No se puede establecer o mantener la temperatura del agua mixta:

CIERRE LOS SUMINISTROS DE AGUA. Retire el ensamble de la manija, la manga, y la tuerca tapa. Asegúrese que la marca "H" en el cartucho quede alineada con la entrada de agua caliente y la marca "C", en el cartucho, quede alineada con la entrada del agua fría al cuerpo de la válvula. El cartucho termostático no puede funcionar si las entradas de

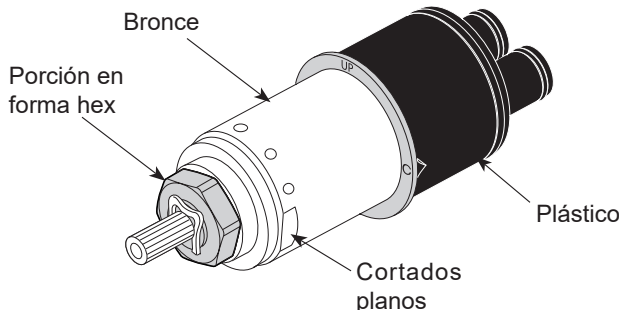
agua fría y caliente están invertidas.

Flujo bajo: el flujo bajo puede ser por causa de obstrucciones en los filtros dentro del cartucho termostático. Para limpiar las rejillas o filtros del agua caliente y fría en el cartucho, siga los siguientes pasos:

1. CIERRE LOS SUMINISTROS DE AGUA.
2. Retire el ensamble de la manija.
3. Desatornille la porción en forma hexagonal del cartucho de la sección de bronce del cartucho. La sección de bronce debe mantenerse fija por los cortados planos mientras que la sección hexagonal se gira hacia la izquierda. Si no fija la sección de bronce mientras que gira la parte hexagonal puede resultar en daño al cartucho. (Vea la ilustración a continuación)
4. Limpie cuidadosamente los residuos de los filtros bajo el chorro de agua. Si los residuos son difíciles de eliminar, entonces deje los filtros remojando durante la noche en una solución del 50% de agua y 50% de vinagre.
5. Vuelva a ensamblar el cartucho.
6. Vuelva a colocar la manija.
7. Abra el flujo de agua otra vez.
8. Restablezca el tope del límite antes de utilizar la válvula.

Hoja resumen de referencia para el cartucho

17T



Ordene el Repuesto RP47201 para cambiar el cartucho.



see what Delta can do™

107530

Instructions d'installation Finition de la soupape MultiChoice®

Guide d'utilisation

17T Séries

Inscrivez le numéro de modèle ici.

Articles dont vous pouvez avoir besoin:

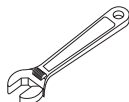
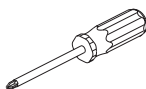


Table des matières

Garanties	Page 2
Instructions d'installation	Pages 3 - 7
Instructions de nettoyage	Page 8
Maintenance	Page 8
Fiche de référence sommaire de la cartouche	Page 8

**Pour commander des pièces de rechange,
visitez www.deltafaucet.com/service-parts**

ATTENTION: L'installateur doit régler l'appareil pour que la température maximale de l'eau chaude soit sans danger. Toute modification des réglage peut entraîner une élévation de la température à la sortie du robinet au delà de la température sans danger et pourrait causer un échaudage.

AVIS À L'INSTALLATEUR: ATTENTION! – En qualité d'installateur, vous êtes tenu d'INSTALLER et de RÉGLER ce robinet conformément aux instructions. Ce robinet ne s'adapte pas automatiquement aux fluctuations de la température de l'eau d'alimentation. Par conséquent, il faut régler la le bouton de température au moment de l'installation et il peut être nécessaire de faire de nouveaux réglages par la suite en raison des fluctuations saisonnières de la température de l'eau. **VOUS DEVEZ** informer le propriétaire ou l'utilisateur de cette exigence. En cas de doute quant à la marche à suivre pour faire ces réglages, veuillez consulter page 7 si un doute persiste, et si cette incertitude persiste, appelez-nous au 1-800-345-DELTA.

Après avoir terminé l'installation et le réglage, vous devez inscrire, sur l'étiquette de mise en garde fournie, votre nom, le nom de votre entreprise et la date à laquelle vous avez réglé la le bouton de température, puis fixer l'étiquette à l'endos de

la porte de la coiffeuse. Vous devez également fixer l'étiquette d'avertissement au chauffe-eau. **Veuillez laisser ce feuillet d'instructions au propriétaire ou à l'utilisateur pour qu'il puisse le consulter au besoin. MISE EN GARDE –** Ce robinet thermostatique à équilibrage de pression pour baignoire est conçu pour limiter les effets des fluctuations de température de l'eau causées par les variations de la pression d'alimentation attribuables au fonctionnement d'un lave-vaisselle, d'une machine à laver, d'un cabinet d'aisances ou d'un autre appareil qui consomme de l'eau. Il peut ne pas protéger l'utilisateur contre l'échaudage en cas de défectuosité d'un autre dispositif de régulation de la température, si le réglage de la du bouton de température est mauvais, si la température de l'eau chaude a été modifiée après que les réglages ont été effectués ou si la température de l'eau d'alimentation a changé en raison du changement de saison. **MISE EN GARDE –** N'installez pas de dispositif d'arrêt sur une sortie quelconque de ce robinet. En interrompant l'écoulement de l'eau, ce dispositif peut empêcher le robinet d'équilibrer les pressions d'eau chaude et d'eau froide.

Garantie limitée des robinets Delta®

Pièces et finis: Tous les pièces (autres que les composants électroniques et les piles) et les finis de ce robinet Delta® achetés chez des vendeurs Delta autorisés sont protégés contre les défauts de matériel et les vices de fabrication par une garantie qui est consentie au premier acheteur au détail et qui demeure valide tant que celui-ci demeure propriétaire de la maison dans laquelle le robinet a été installé. En ce qui concerne les acheteurs commerciaux, la période de garantie est a) de dix (10) ans pour les applications résidentielles multifamiliales et b) de cinq (5) ans pour toutes les autres applications commerciales, à compter de la date d'achat dans chaque cas. Dans le libellé de la présente garantie, on entend par « application résidentielle multifamiliale », un robinet acheté chez un vendeur Delta autorisé par un acheteur qui est propriétaire d'un logement résidentiel sans l'habiter et installé pour la première fois dans cet immeuble. Il peut s'agir d'un immeuble individuel comportant un ou plus d'un logement loué (duplex ou groupe de maisons en rangée), d'un condominium, d'un immeuble d'habitation ou d'un centre d'intégration communautaire. Les applications décrites ci-après ne sont pas considérées comme des applications multifamiliales et elles sont couvertes par la garantie de 5 ans plutôt que par la garantie de 10 ans. Ce sont les suivantes : robinets installés dans un bâtiment industriel, un bâtiment institutionnel et un autre immeuble commercial, notamment une résidence d'étudiants, un lieu d'hébergement (hôtel, motel ou lieu de séjour prolongé), un aéroport, un établissement d'enseignement, un établissement de soins de courte ou de longue durée (hôpital, centre de réadaptation, maison de soins infirmiers), un endroit public ou un lieu commun.

Pièces et finis des robinets recertifiés Delta®: Delta Faucet Company offre en vente en ligne des robinets recertifiés Delta®. Les robinets recertifiés Delta® comprennent uniquement les robinets qui ont été certifiés à ce titre par Delta Faucet Company. Tous les pièces (autres que les pièces électroniques et les piles) et les finis de ces robinets Delta® recertifiés sont protégés contre les défauts de matériel et les vices de fabrication par une garantie qui est consentie au premier acheteur au détail et qui est d'une durée de dix (10) ans à compter de la date d'achat initiale. En ce qui concerne les acheteurs commerciaux, la période de garantie est d'un (1) an à compter de la date d'achat initiale.

Composants électroniques: Les composants électroniques (autres que les piles) de ce robinet Delta® qui ont été achetés auprès de deltafaucet.com ou de vendeurs Delta autorisés sont protégés contre les défauts de matériel et les vices de fabrication par une garantie consentie au premier acheteur au détail qui est de cinq (5) ans à compter de la date d'achat initiale. En ce qui concerne les acheteurs commerciaux, la période de garantie est d'un (1) an à compter de la date d'achat initiale. Les piles ne sont pas couvertes par la garantie.

Ce que nous ferons: Delta Faucet Company réparera ou remplacera gratuitement, pendant la période de garantie applicable (décrite ci-dessus), toute pièce ou tout fini qui présentera une défectuosité de matériel et/ou un vice de fabrication pour autant que le produit ait été installé, utilisé et entretenu normalement. Delta Faucet Company peut, à sa seule discrétion, utiliser des produits neufs, remis à neuf ou recertifiés ou des pièces neuves, remises à neuf ou recertifiées pour effectuer la réparation ou le remplacement. S'il n'est pas utile de réparer ou de remplacer le produit, Delta Faucet Company pourra rembourser le prix d'achat en échange du produit retourné. **Il s'agit de vos seuls recours.**

Ce qui n'est pas couvert: Étant donné que Delta Faucet Company n'est pas en mesure de contrôler la qualité des produits vendus par des vendeurs non autorisés, la présente garantie ne s'applique pas aux produits Delta vendus par des vendeurs non autorisés, à moins que cette restriction ne soit interdite par la loi.

La présente garantie ne couvre pas les frais de main-d'œuvre encourus par l'acheteur pour la réparation, le remplacement, l'installation ou la dépose du robinet. Delta Faucet Company se dégage de toute responsabilité à l'égard de toute détérioration du robinet résultant d'une usure raisonnable et des dommages causés par une utilisation à l'extérieur, un mauvais usage (y compris l'utilisation du produit à de fins autres que celles auxquelles il est destiné), le gel de l'eau, un usage abusif, la négligence ou l'utilisation d'une méthode d'installation, de maintenance ou de réparation incorrecte ou inadéquate, y compris les dommages résultant du non-respect des instructions de nettoyage et d'entretien applicables. Delta Faucet Company vous recommande de confier tous les travaux d'installation et de réparation à un plombier professionnel. Nous vous recommandons également d'utiliser uniquement des pièces de rechange Delta® authentiques.

Ce que vous pouvez faire pour vos préalois de la garantie ou obtenir des pièces de rechange: Vous pouvez présenter une réclamation en vertu de la garantie et obtenir des pièces de rechange en appelant au 1-800-345-DELTA (3358) ou en communiquant avec nous à l'une des adresses postales ou des adresses de courriel indiquées ci-dessous (n'oubliez pas d'indiquer le numéro de modèle et la date d'achat).

Aux États-Unis et au Mexique

Delta Faucet Company
55 E. 111th Street
Indianapolis, IN 46280
Attention: Warranty Service
www.deltafaucet.com/service-parts/contact-us

Au Canada:

Masco Canada Limited, Groupe plomberie
Centre de services techniques
350, chemin South Edgeware
St. Thomas (Ontario) Canada N5P 4L1
À l'attention du Service à la clientèle
<http://www.deltafaucet.ca/customersupport/assistance.html>

La preuve d'achat (original du reçu) du premier acheteur doit être présentée à Delta Faucet Company pour toutes les demandes en vertu de la garantie, sauf si le produit a été enregistré auprès de Delta Faucet Company ou si le produit est un produit recertifié Delta® acheté auprès de deltafaucet.com. La présente garantie s'applique uniquement aux robinets Delta® fabriqués après le 1er janvier 2019 et installés aux États-Unis d'Amérique, au Canada et au Mexique.

Limitation de la durée des garanties implicites. Veuillez noter que dans les États ou les provinces (y compris le Québec) où il est interdit de limiter la durée d'une garantie implicite, les limites mentionnées ci-dessous peuvent ne pas s'appliquer. DANS LA MESURE DE CE QUI EST PERMIS PAR LA LOI APPLICABLE, TOUTES LES GARANTIES IMPLICITES, Y COMPRIS LES GARANTIES IMPLICITES DE QUALITÉ MARCHANDE ET D'ADEQUATION À UN USAGE PARTICULIER, SE LIMITENT À LA PÉRIODE FIXÉE PAR LA LOI OU À LA DURÉE DE LA PRÉSENTE GARANTIE. LA PLUS COURTE DES DEUX PÉRIODES S'APPLIQUANT.

Limitation des dommages particuliers, consécutifs ou indirects. Veuillez noter que dans les États ou les provinces (y compris le Québec) où il est interdit d'exclure ou de limiter les dommages particuliers, consécutifs ou indirects, les exclusions et les limites mentionnées ci-dessous peuvent ne pas s'appliquer. DANS LA MESURE DE CE QUI EST PERMIS PAR LA LOI APPLICABLE, DELTA FAUCET COMPANY SE DÉGAGE DE TOUTE RESPONSABILITÉ À L'ÉGARD DES DOMMAGES PARTICULIERS, CONSÉCUTIFS ET INDIRECTS (Y COMPRIS LES FRAIS DE MAIN-D'ŒUVRE POUR LA RÉPARATION, LE REMPLACEMENT, L'INSTALLATION OU LA DÉPOSE DU PRODUIT), PEU IMPORTÉ QU'ILS DÉCOULENT D'UNE RUPTURE D'UNE GARANTIE IMPLICITE OU EXPLICITE, D'UNE RUPTURE DE CONTRAT, D'UN DÉLIT CIVIL OU D'UNE AUTRE CAUSE. DELTA FAUCET COMPANY SE DÉGAGE DE TOUTE RESPONSABILITÉ À L'ÉGARD DE TOUTE DÉTÉRIORATION DU ROBINET RÉSULTANT D'UNE USURE RAISONNABLE ET DES DOMMAGES CAUSÉS PAR UNE UTILISATION À L'EXTÉRIEUR, UN MAUVAIS USAGE (Y COMPRIS L'UTILISATION DU PRODUIT À DES FINS AUTRES QUE CELLES AUXQUELLES IL EST DESTINÉ), LE GEL DE L'EAU, UN USAGE ABUSIF, LA NÉGLIGENCE OU L'UTILISATION D'UNE MÉTHODE D'INSTALLATION, DE MAINTIENNE OU DE RÉPARATION INCORRECTE OU INADÉQUATE, Y COMPRIS LES DOMMAGES RÉSULTANT DU NON-RESPECT DES INSTRUCTIONS D'INSTALLATION, D'ENTRETIEN ET DE NETTOYAGE APPLICABLES, ET CES DOMMAGES NE SONT PAS COUVERTS PAR LA GARANTIE. Avis à l'intention des résidents de l'État du New Jersey : Les dispositions de la présente garantie, y compris ses limitations, s'appliquent dans toute la mesure permise par les lois de l'État du New Jersey.

Droits supplémentaires: La présente garantie vous procure des droits précis reconnus par la loi. Vous pouvez avoir d'autres droits qui varient selon l'État ou la province. La présente garantie écrite est la seule garantie offerte par Delta Faucet Company et elle n'est pas transférable.

Si vous avez des questions ou des préoccupations concernant notre garantie, veuillez communiquer avec nous de la manière indiquée ci-dessus ou consulter notre FAQ sur la garantie à www.deltafaucet.com.

© 2022 Entreprise de robinetterie Delta

Garantie Limitée sur les Robinets Ultra-Robustes Delta de la Série HDF

Toutes les pièces des robinets ultra-robustes Delta de la série HDF sont protégées contre les défauts de matériel et les vices de conception par une garantie qui est consentie au premier acheteur pour une période de cinq (5) ans. Cette garantie entre en vigueur à compter de la date d'achat indiquée sur le reçu de l'acheteur.

Pendant la période de garantie, Delta remplacera, SANS FRAIS, toute pièce présentant une défectuosité du matériel et (ou) un vice de fabrication pour autant que l'appareil ait été installé, utilisé et entretenu correctement. Pour obtenir des pièces de rechange, veuillez communiquer avec le distributeur ou le concessionnaire de votre région dont le nom figure dans l'annuaire téléphonique ou retourner la pièce défectueuse accompagnée du reçu de l'acheteur à notre usine, PORT PAYÉ, à l'adresse indiquée. LA PRÉSENTE GARANTIE EST LA SEULE GARANTIE IMPLICITE OFFERTE PAR DELTA. TOUTE RÉCLAMATION EN VERTU DE CETTE GARANTIE DOIT ÊTRE FAITE AU COURS DE LA PÉRIODE DE CINQ ANS SUSMENTIONNÉE. TOUTE GARANTIE IMPLICITE, Y COMPRIS LA GARANTIE IMPLICITE DE QUALITÉ MARCHANDE OU

D'ADEQUATION DU PRODUIT AVEC UN USAGE PARTICULIER, EST LIMITÉE À LA DURÉE DE LA PRÉSENTE GARANTIE. LES FRAIS DE MAIN-D'ŒUVRE ET (OU) LES DOMMAGES PROVOQUÉS AU COURS DE L'INSTALLATION, DE LA RÉPARATION OU DU REMPLACEMENT D'UN ÉLÉMENT AINSI QUE LES PERTES OU LES DOMMAGES INDIRECTS EN RÉSULTANT NE SONT PAS COUVERTS PAR CETTE GARANTIE.

Là où il est interdit de limiter la durée de la garantie implicite ou les responsabilités à l'égard des dommages indirects, les exclusions et les limites susmentionnées ne s'appliquent pas.

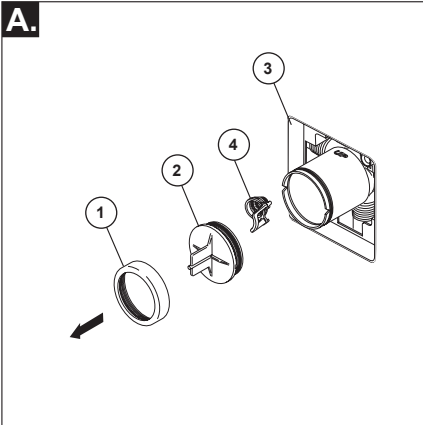
La présente garantie vous donne des droits précis qui peuvent varier selon votre lieu de résidence.

Les dommages résultant d'une mauvaise utilisation, d'une utilisation abusive, de la négligence, d'un accident, d'une mauvaise installation, du non respect de nos instructions ou de l'utilisation de pièces de rechange autres que des pièces d'origine Delta ne sont pas couverts par la garantie.

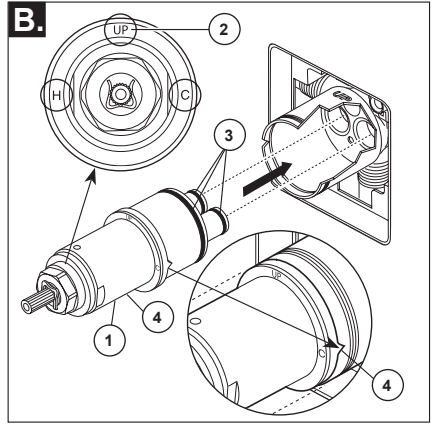
© 2022 Delta Faucet Company

1

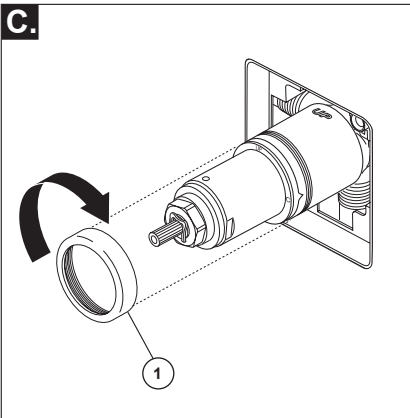
Installation de la cartouche.



Fermez les robinets d'arrêt. Enlevez l'écrou-chapeau (1) et le capuchon d'essai (2) du corps. Placez un seau ou un petit contenant sur l'avant du corps de soupape et ouvrez lentement les robinets d'arrêt pour évacuer les corps étrangers de la tuyauterie avant d'installer la cartouche. Fermez de nouveau les robinets d'arrêt. Si le corps n'est pas monté dans un mur mince, vous pouvez enlever le protecteur (3) au complet. Si le filtre métallique (4) est en place, enlevez-le avant d'installer la cartouche.

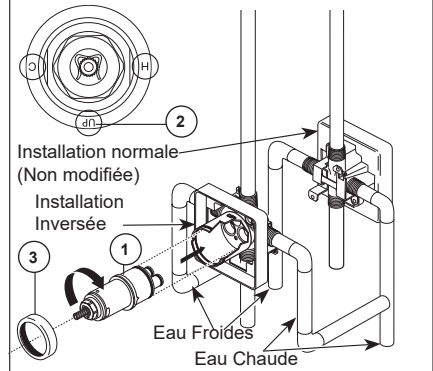


Tournez la cartouche (1) de sorte que le mot « UP » (2) se trouve sur le dessus. La lettre « H » doit se trouver du côté eau chaude et la lettre « C », du côté eau froide. Ajoutez du lubrifiant à base de silicone aux trois joints toriques (3) montrés ci-dessus pour faciliter la pose de la cartouche dans le corps de soupape et sa dépose. Introduisez la cartouche dans le corps de la soupape comme le montre la figure. Assurez-vous que les ergots sont parfaitement engagés dans les rainures du corps (4).



Faites glisser l'écrou à portée sphérique (1) sur la cartouche et vissez-le sur le corps. Serrez à la main fermement.

Installation dos à dos

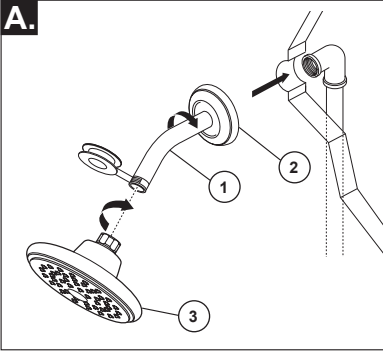


Dans le cas d'une installation dos à dos ou inversée (eau chaude à droite et eau froide à gauche) seulement : tournez la cartouche (1) de sorte que la lettre « H » se trouve du côté eau chaude, la lettre « C », du côté eau froide et le mot « UP » (2), sur le dessus. Ajoutez du lubrifiant à base de silicone aux trois joints toriques montrés ci-dessus pour faciliter la pose de la cartouche dans le corps de soupape et sa dépose. Installez la cartouche en prenant soin d'introduire les ergots entièrement dans les rainures du corps de laiton (reportez-vous à l'étape B). Glissez l'écrou-chapeau (3) sur la cartouche et vissez-le sur le corps. Serrez-le à la main solidement.

2

Installation de la pomme de douche et du bec de baignoire

A.



INSTALLATION DE LA POMME DE DOUCHE: appliquez du ruban de plomero sur les filetages aux deux extrémités du bras de douche (1). Pour éviter d'endommager le fini du bras de douche, introduisez le côté mur de celui-ci dans la colerette de douche (2) avant de le visser dans le raccord du tuyau ascendant. Vissez la pomme de douche (3) sur le bras de douche. Évitez de serrer la pomme de douche excessivement.

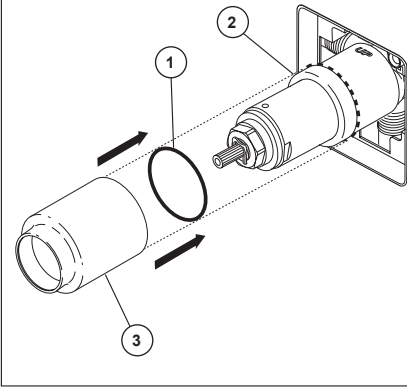
INSTALLATION DU BEC DE BAIGNOIRE:

Consultez les instructions d'installation fournies avec le bec. Ne raccordez pas à une soupape murale à un bec conçu pour être monté sur une plage. Ne raccordez pas une douche à main à la sortie d'un robinet de baignoire-douche prévue pour un bec de baignoire. N'utilisez pas de tube PEX pour raccorder le bec.

3

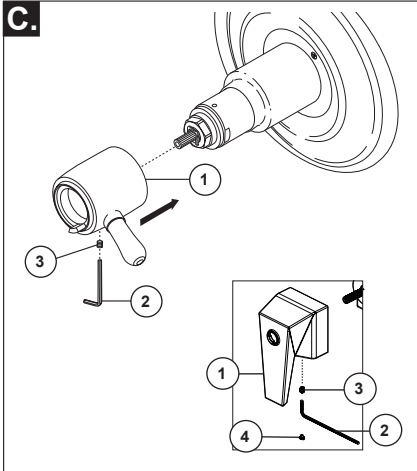
Installation des pièces de finition

A.



Faites glisser le joint torique (1) sur la cartouche et l'écrou à portée sphérique (2). Le joint sert de pièce d'espacement et il stabilise le manchon; il doit se trouver derrière l'écrou à portée sphérique. Faites glisser le manchon (3) sur la cartouche, le corps et le joint torique.

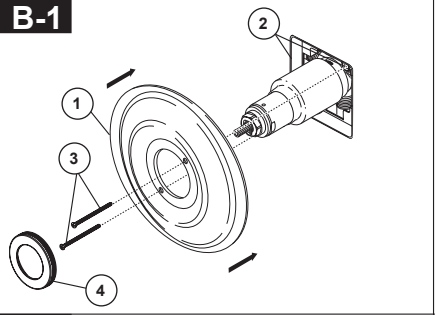
C.



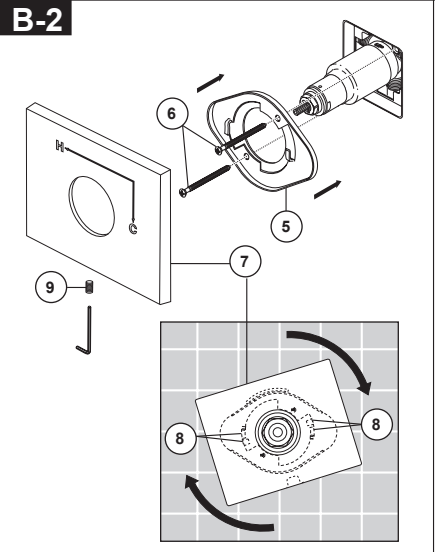
Veillez installer la poignée de contrôle du volume (1) avec le levier vers la droite, à l'aide d'une clé Allen (2) pour fixer avec la vis de réglage (3).

Veillez installer la poignée de contrôle du volume (1) avec le levier pointant vers le bas, à l'aide d'une clé Allen (2) pour fixer avec la vis de réglage (3). Vis de réglage du couvercle avec bouton de poignée (4).

B-1



B-2



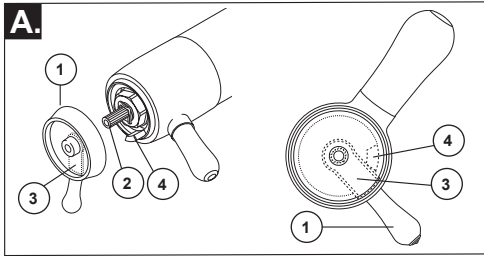
Remarque: Veuillez ajuster pour un mur jusqu'à l'épaisseur de 1". Pour une installation sur un mur épais, veuillez visiter le site Web delta faucet, et consulter «Voir les spécifications techniques» des modèles achetés, et commander le kit d'installation RP approprié pour obtenir un mur supplémentaire de l'épaisseur de 1 3/4".

B-1: Veuillez fixer l'écusson (1) au support (2) avec les 2 vis (3) fournies. Ne pas serrer excessivement les vis de la rosace. Veuillez appuyer le couvercle (4) sur l'écusson (1) lorsque votre produit comprend le couvercle.
B-2: Veuillez installer le support (5) sur le corps de la cartouche à l'aide des 2 vis (6) fournies. Veuillez installer l'écusson (7) en le plaçant sur le support comme indiqué et en le tournant pour verrouiller les languettes (8). Veuillez fixer l'écusson au support à l'aide de la vis de réglage (9).

4

Installation et réglage du bouton de température

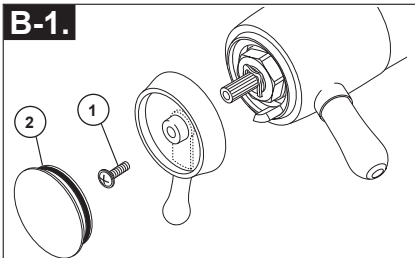
Il y a risque de blessure si le bouton de température n'est pas réglé.



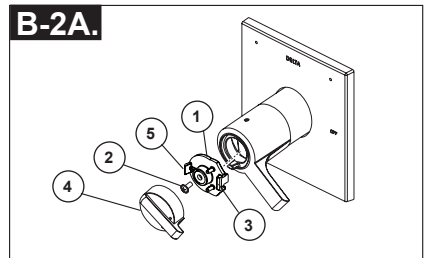
Réglez la butée limitatrice de température!

Rétablissez l'alimentation en eau. LAISSEZ COULER CHAUDE JUSQU'À CE QU'ELLE SOIT AUSSI CHAUDE QUE POSSIBLE ET FAITES DE MÊME POUR L'EAU FROIDE. Placez un thermomètre dans un gobelet en plastique et tenez le gobelet sous le jet d'eau. Placez le bouton de température (1) sur les cannelures (2), puis tournez-le dans le sens antihoraire jusqu'à ce que l'eau soit à la température maximale voulue (pas plus de 120° ou température plus basse exigée par le code de plomberie local). Si l'eau n'atteint pas la température maximale avant que la butée de température maximale (3) sur le

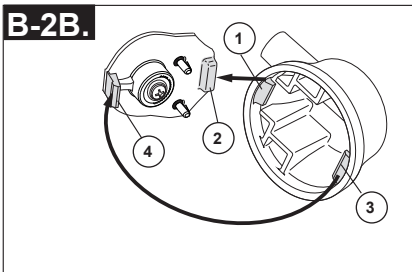
bouton de température (1) n'atteigne la butée de température maximale (4) sur la manette de débit, retirez le bouton de réglage de température (1) des cannelures (2). Tournez le bouton de réglage de température (1) dans le sens horaire. Remplacez le bouton de réglage de température (1) sur les cannelures (2) et continuez de le tourner dans le sens antihoraire jusqu'à ce que l'eau soit à la température maximale voulue. Enlevez le bouton de température (1) et remplacez-le sur les cannelures (2) en vous assurant que la butée limitatrice de température (3) s'appuie contre la butée de la manette de débit (4) comme le montre la figure.



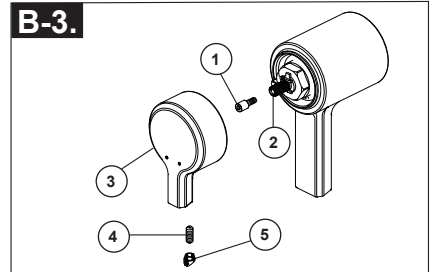
Fixez le bouton de température à l'aide de la vis (1) et placez le capuchon (2) sur le bouton.



Fixez le bouton de réglage de température (1) avec la vis (2) et, accrocher avant ou poussant fermement sur calez le couvercle (3) sur bouton avant de engageant arrière bouton (1).

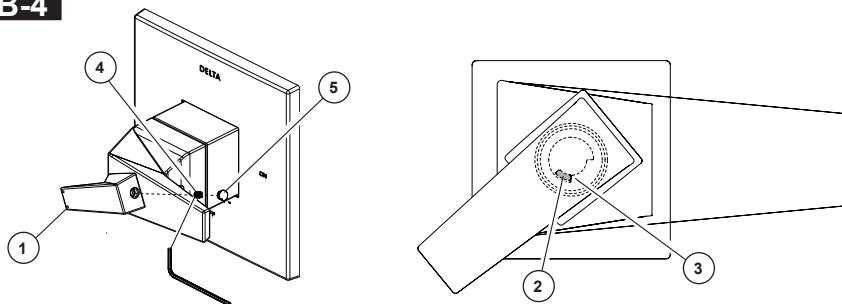


Placez le couvercle de la commande de température contre le bouton de réglage de température après avoir aligné la petite patte (1) sur le couvercle avec la rainure (2) sur bouton de température. Faites pivoter la grosse patte (3) pour l'engager dans la fixation (4). Note : Si vous devez démonter le couvercle, procédez dans l'ordre inverse et dégagez la grosse patte (3) de la fixation (4) en premier.



Fixez la vis d'espacement (1) à la tige de soupape (2). Glissez la manette de réglage de température (3) en place sur la vis d'espacement (1) et fixez-la à l'aide de la vis de calage (4). Recouvrez le trou avec le bouton décoratif (5).

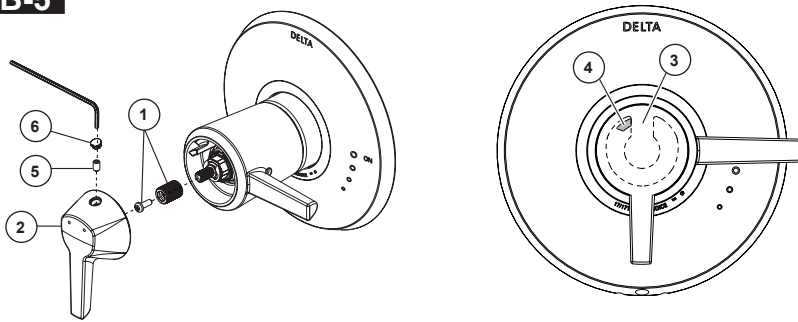
B-4



Installation de la poignée de température

Veillez ouvrir l'alimentation en eau; VEUILLEZ LAISSER L'EAU FONCTIONNER À LA FOIS À CHAUD ET À FROID POUR ASSURER QUE L'EAU FONCTIONNE COMME CHAUDE / FROIDE LE PLUS POSSIBLE. Placez la poignée de température (1) sur la cannelure, puis tournez la poignée de température jusqu'à ce que vous obteniez la température maximale souhaitée à la sortie (pas plus de 120 ° ou la température inférieure prescrite par votre code de plomberie local). Veuillez retirer ensuite la poignée de température et remontez-la sur la cannelure pour vous assurer que la butée de limite de la poignée de température (2) frappe contre la butée de limite de la poignée de volume (3) comme illustré. Installer la poignée de température avec la vis de réglage (4), couvrir la vis de réglage avec le bouton de la poignée (5).

B-5



Installation de la poignée de température

Veillez ouvrir l'alimentation en eau; VEUILLEZ LAISSER L'EAU FONCTIONNER À LA FOIS À CHAUD ET À FROID POUR ASSURER QUE L'EAU FONCTIONNE COMME CHAUDE / FROIDE LE PLUS POSSIBLE. Insérez le manchon et la vis (1) à la tige, la vis doit maintenir solidement la tige en place. Placez la poignée de température (2) sur la cannelure, puis tournez la poignée de température jusqu'à ce que vous obteniez la température maximale souhaitée à la sortie (pas plus de 120 ° ou la température inférieure prescrite par votre code de plomberie local). Veuillez retirer ensuite la poignée de température et remontez-la sur la cannelure pour vous assurer que la butée de limite de la poignée de température (3) frappe contre la butée de limite de la poignée de volume (4) comme illustré. Installer la poignée de température avec la vis de réglage (5), couvrir la vis de réglage avec le bouton de la poignée (6).

5

La brûlure potentielle ou la blessure de choc thermique pourraient résulter du flux si la sortie à la douche est bloquée ou restreint (par exemple, le contrôle de pause sur douche). Assurez-vous de diriger la douche loin de vous en installant des valves de contrôle d'admission sur les deux conduites d'alimentation pour empêcher une blessure possible.

Instructions de nettoyage

Il faut le nettoyer avec soin. Même si son fini est extrêmement durable, il peut être abîmé par des produits fortement abrasifs ou des produits de polissage. Il faut simplement le frotter doucement avec un chiffon humide et le sécher à l'aide d'un chiffon doux.

AVERTISSEMENT: N'employez pas le nettoyant pour salle de bain Scrubbing Bubbles® ni le Nettoyant de Lavabos,

de Baignoires et de Carreaux Lysof® sur les manettes et les poignées sphériques transparentes. Ces produits peuvent faire fissurer les poignées et les manettes ou les abîmer gravement. Si ces poignées ou ces manettes sont aspergées accidentellement par l'un ou l'autre des produits mentionnés, les essuyer immédiatement à l'aide d'un chiffon de coton doux.

Maintenance

Évitez de serrer la pomme de douche excessivement.

Les conduites d'eau chaude et en eau froide doivent être toutes les deux sous pression. Si seulement un côté est sous pression, le débit d'eau à la sortie du système sera insuffisant.

La pomme de douche fuit : retirez la pomme de douche, puis ouvrez et fermez les robinets d'arrêt et vérifiez si la cartouche fuit ou si la pomme de peut avoir besoin d'un nettoyage si elle se vide lentement.

Si la fuite persiste - FERMEZ LES ROBINETS D'ARRÊT.

Remplacez la cartouche - RP47201.

Incapacité de régler ou de maintenir la température de l'eau mitigée :

FERMEZ LES ROBINETS D'ARRÊT. Retirez la manette, le manchon de finition et l'écrou-chapeau. Assurez-vous que la lettre « H » qui figure sur la cartouche est orientée vers l'entrée d'eau chaude et que la lettre « C » est orientée vers l'entrée d'eau froide du corps de soupape. La cartouche thermostatique ne fonctionnera pas si l'entrée d'eau

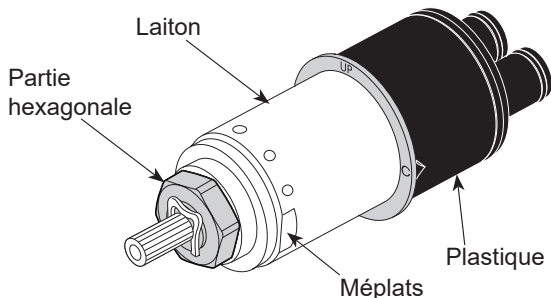
chaude et l'entrée d'eau froide sont inversées.

Faible débit: un faible débit peut être attribuable à des filtres métalliques obstrués à l'intérieur de la cartouche thermostatique.

1. FERMEZ LES ROBINETS D'ARRÊT.
2. Enlevez la manette.
3. Dévissez la partie hexagonale de la cartouche de la section en laiton de la cartouche. Tenez solidement la section en laiton par les méplats pendant que vous tournez la partie hexagonale dans le sens antihoraire. Si vous ne tenez pas la section en laiton assez solidement, la cartouche risque d'être endommagée. (Voir l'illustration ci-dessous).
4. Nettoyez soigneusement les filtres métalliques en faisant couler de l'eau au travers pour évacuer les saletés. Si les saletés sont difficile à enlever, faites tremper les filtres métalliques toute la nuit dans une solution composée à part égales d'eau et de vinaigre.
5. Remontez la cartouche.
6. Remontez la manette.
7. Ouvrez les robinets d'arrêt.
8. Remettez la butée de température maximale à sa position initiale avant d'utiliser la soupape.

Fiche de référence sommaire de la cartouche

17T



Commandez le kit RP47201 pour remplacer la cartouche.